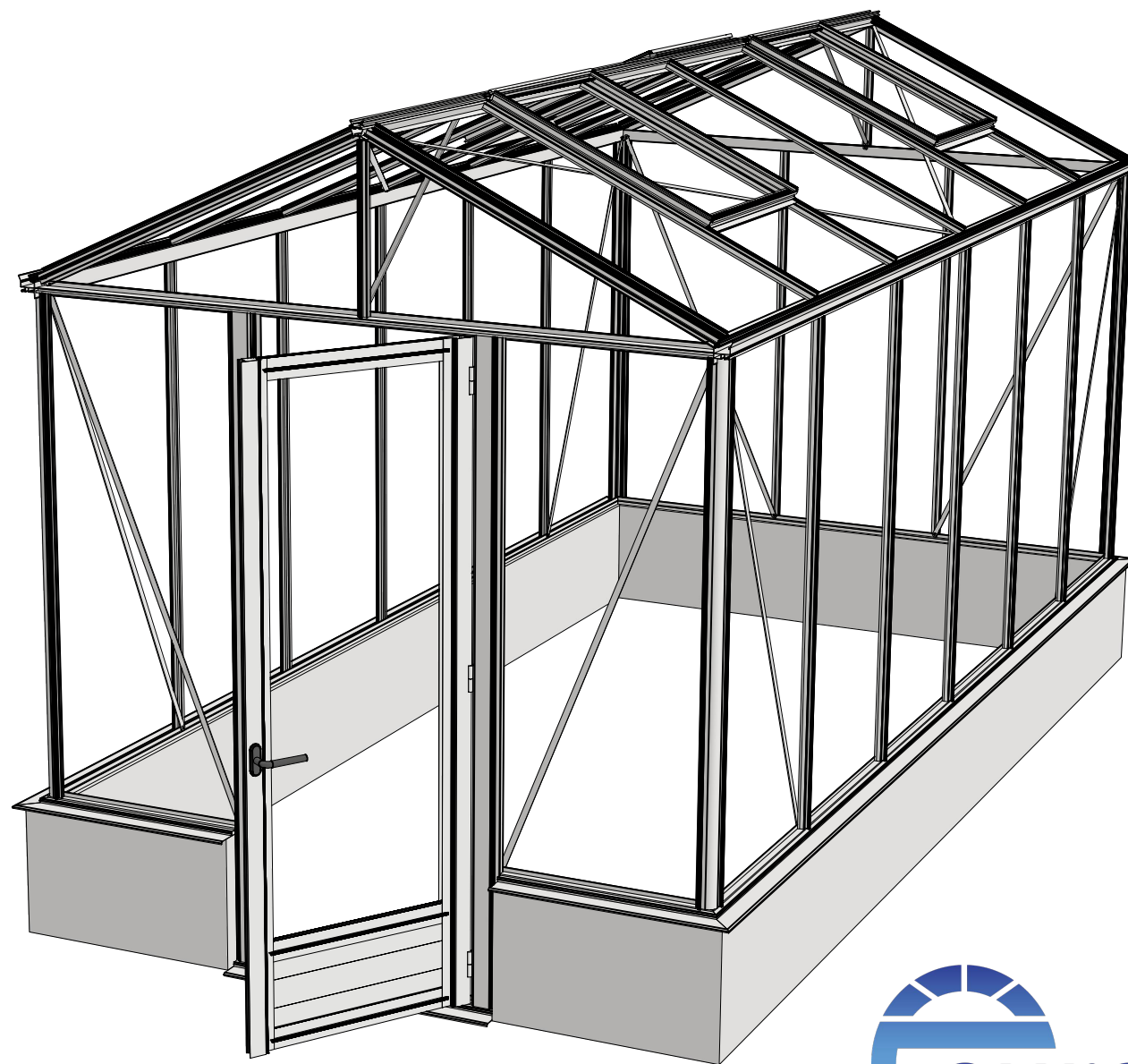
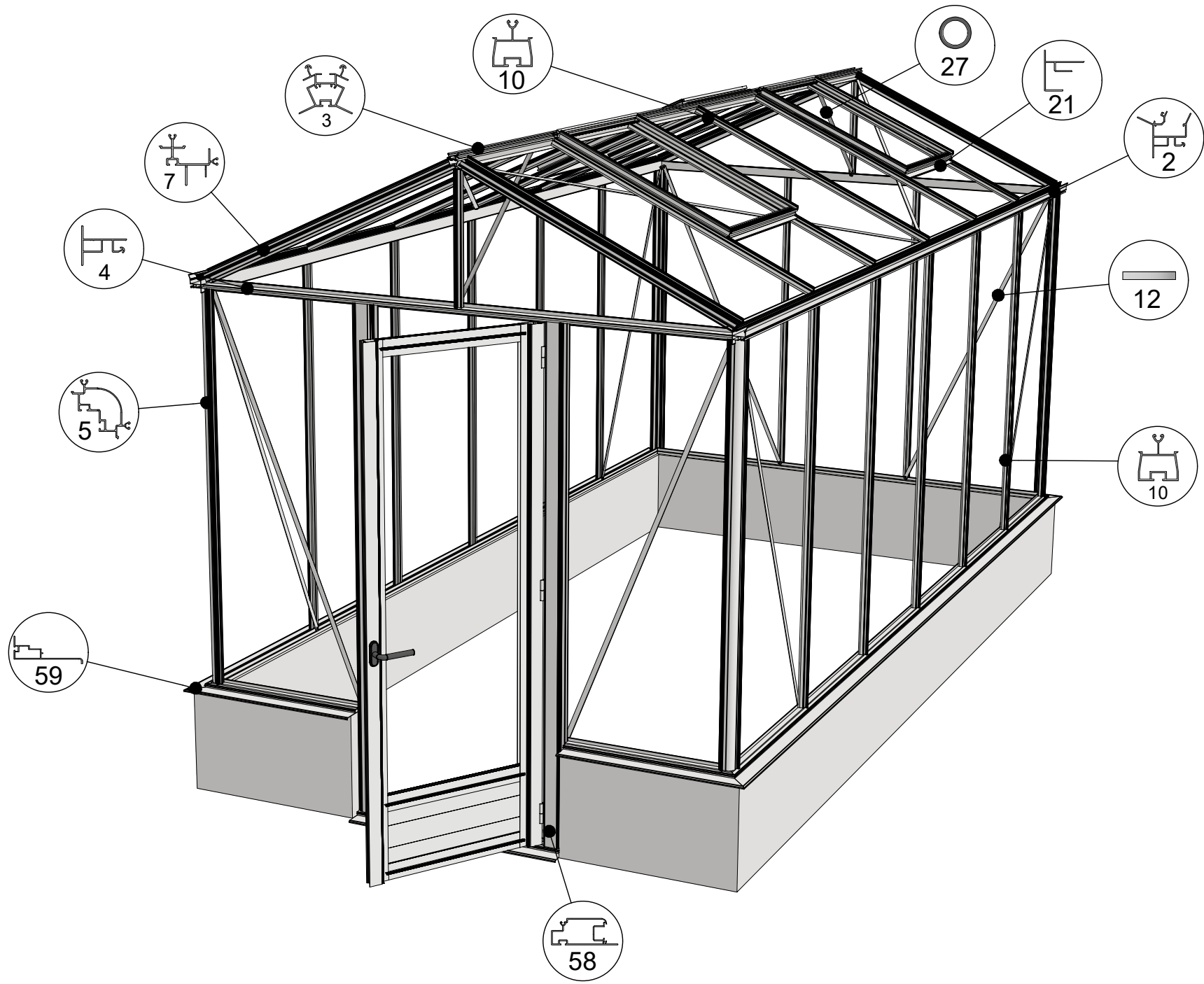


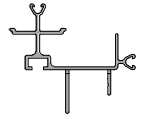

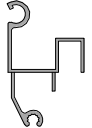

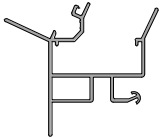

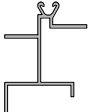
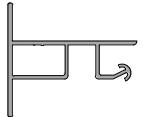
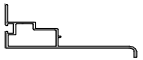
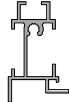
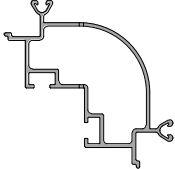
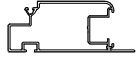

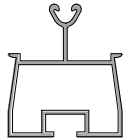
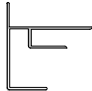
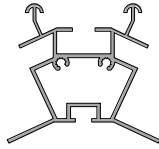
Euro-Maxi 2,36 on wall.



24-01-2023

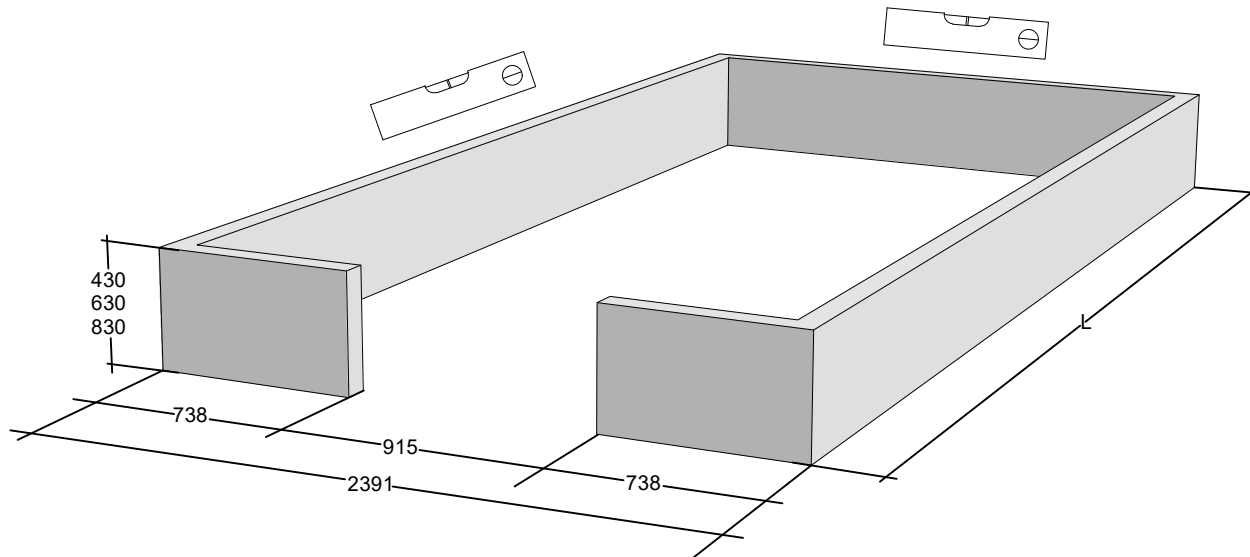
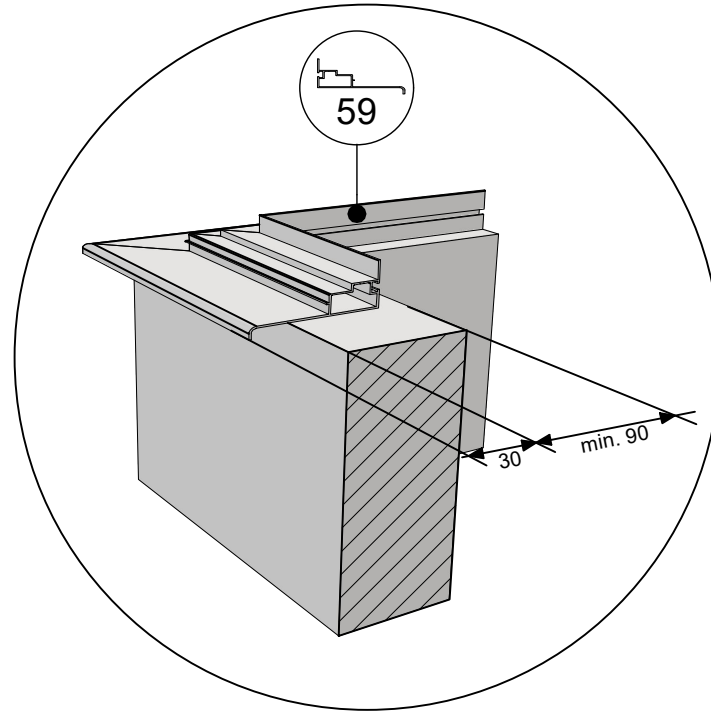




Profile list											
-	NR	Profile NR	-	NR	Profile NR	-	NR	Profile NR	-	NR	Profile NR
	7	7151		U35	U35		18	17542		40	B32
	2	11788		12	7070		19	17543			
	4	17549		59	9249		20	28513			
	5	17548		58	12960		27	B18			
	10	17541		21	19577		3	8642			

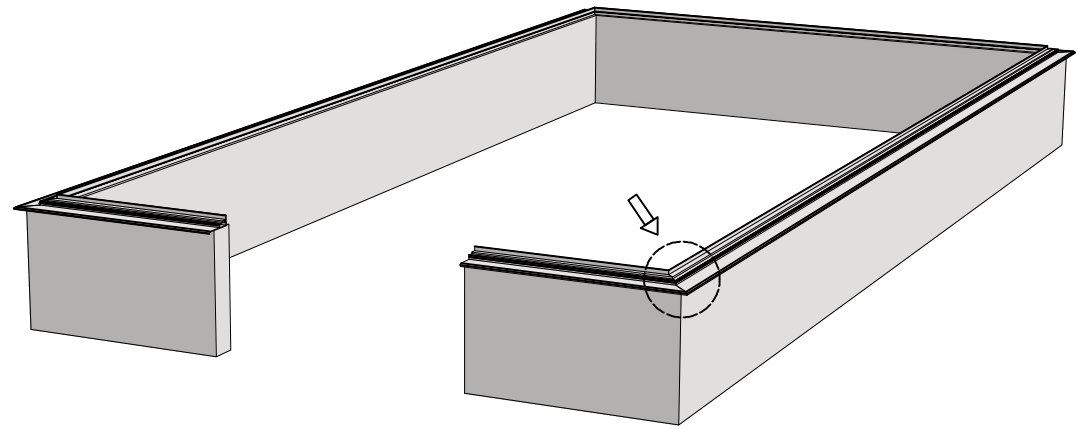
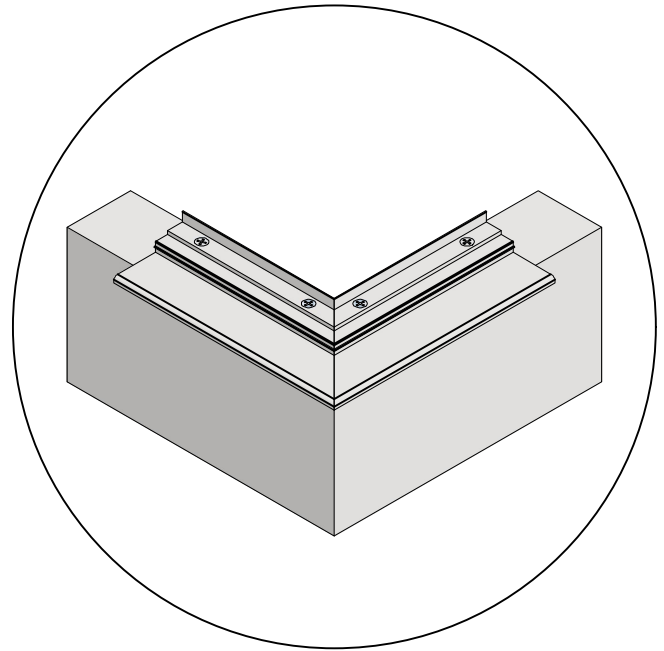
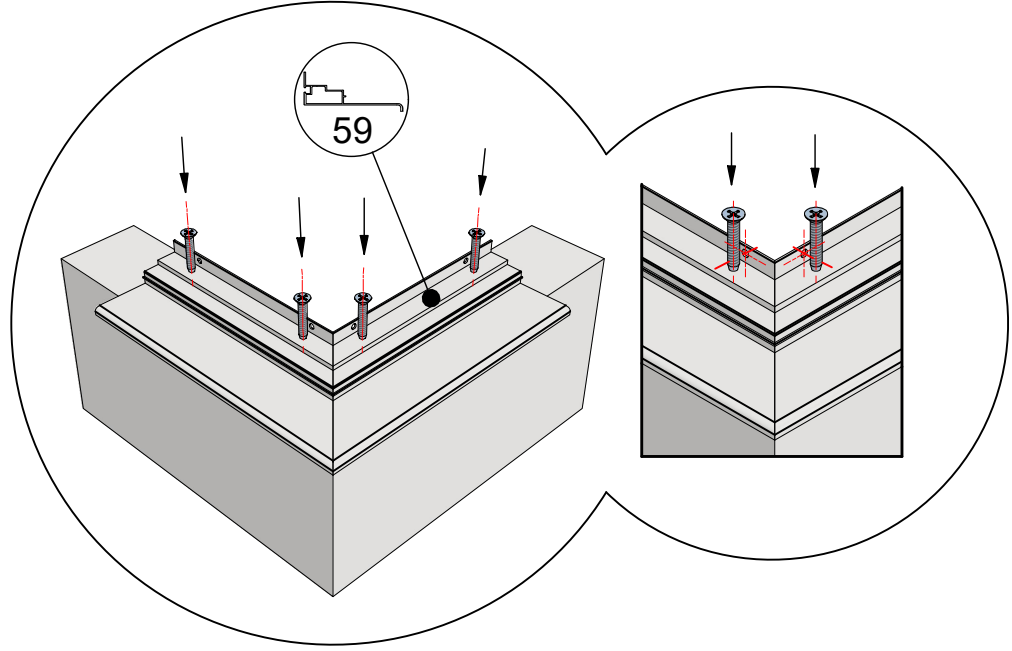
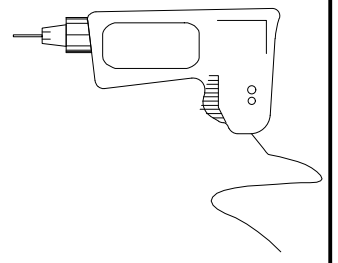
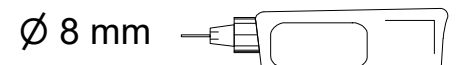
- Attention! Check inside the foundation for more profiles.
- Achtung! Prüfen sie das fundament für weitere profile.
- Opgelet! kijk in de fundering voor andere profielen.
- Attention! Regarde à l'intérieur du fondation pour plussier profils.
- Observera at en del profiler ligger i sockelprofilen!!

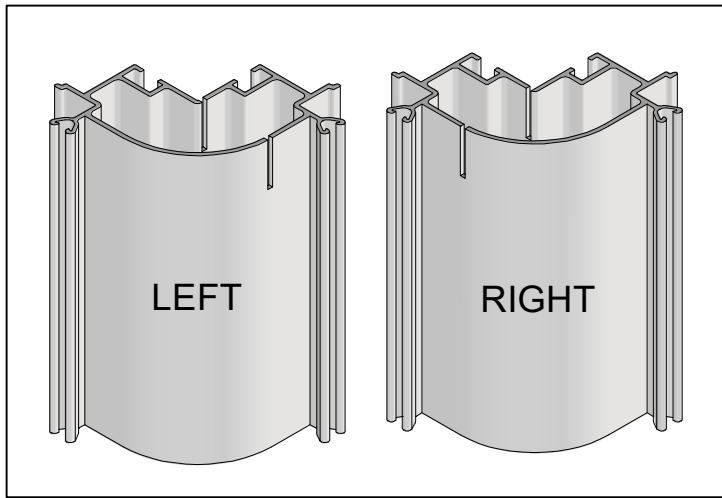




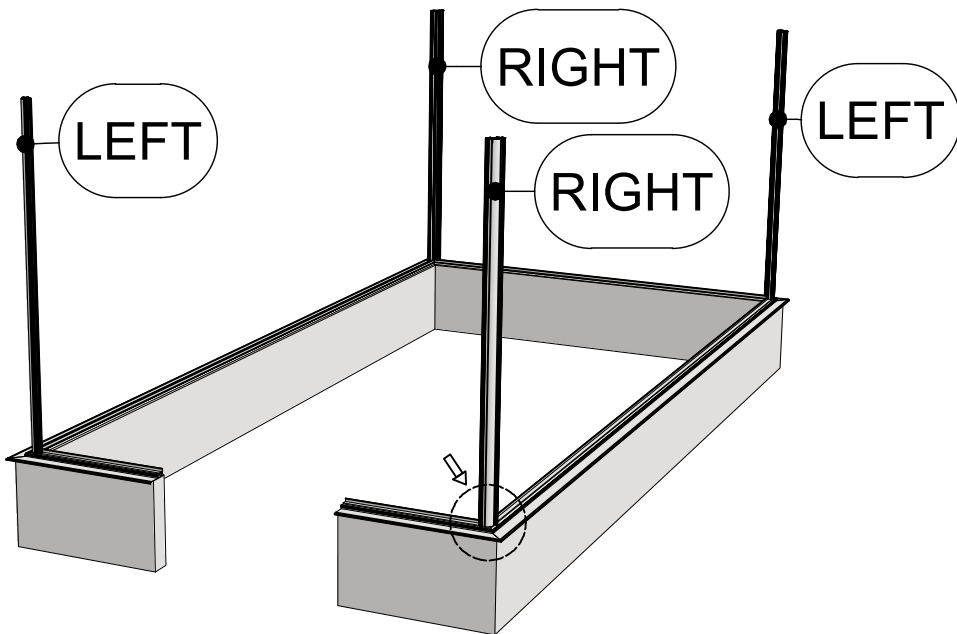
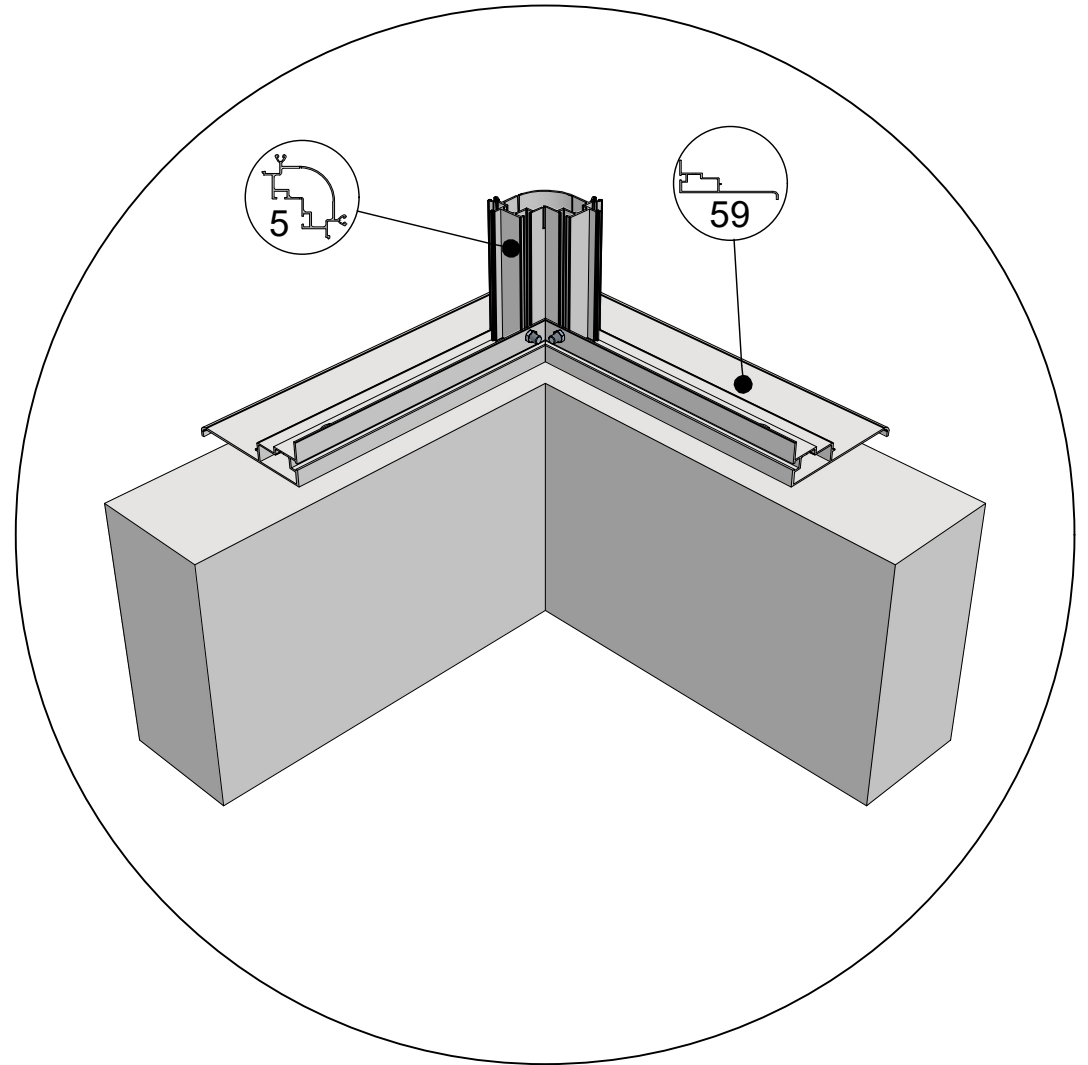


6x120

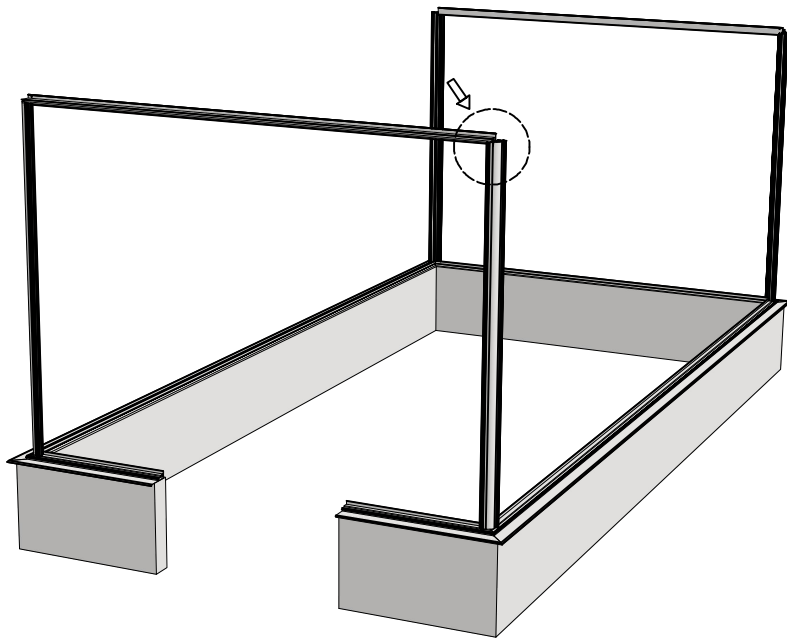
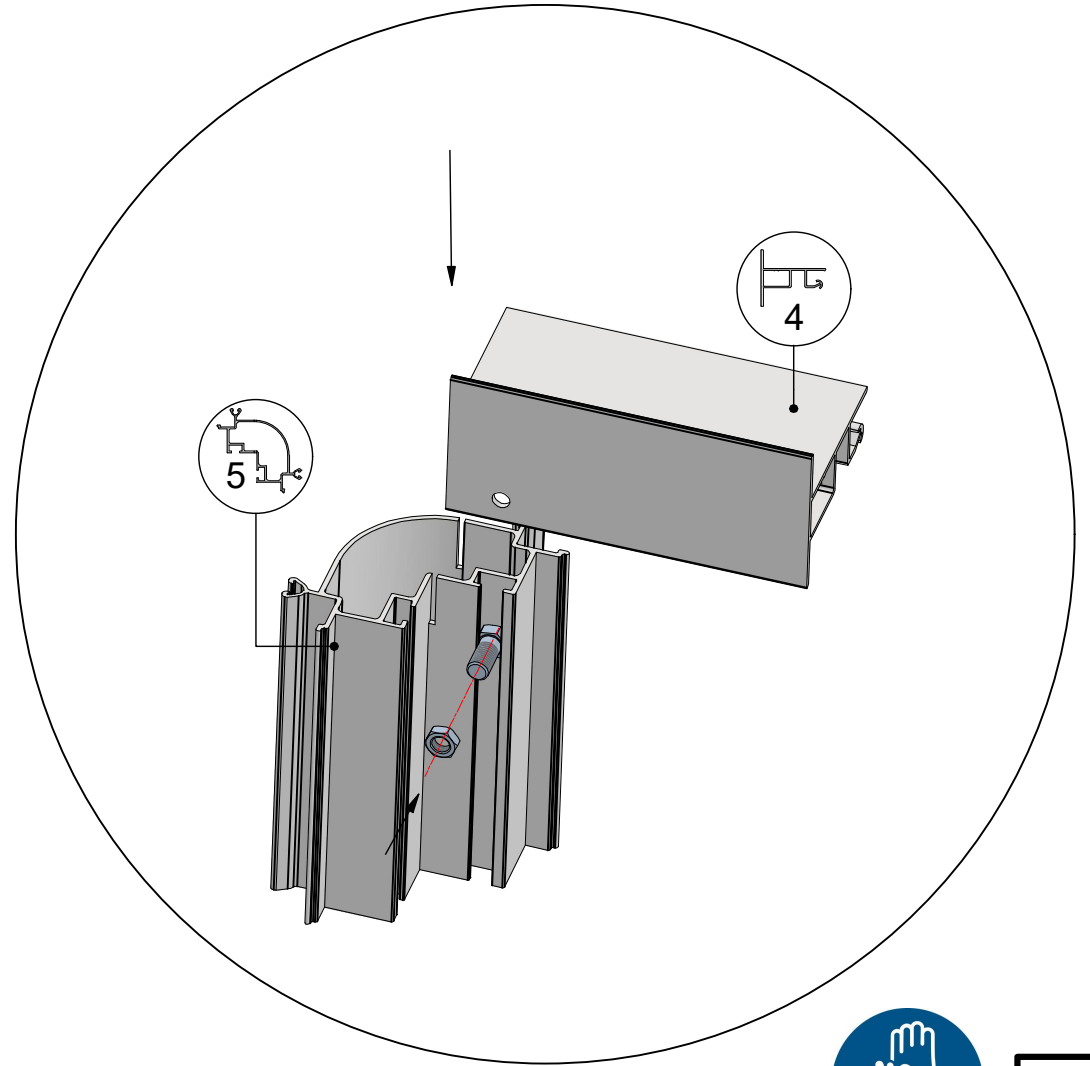
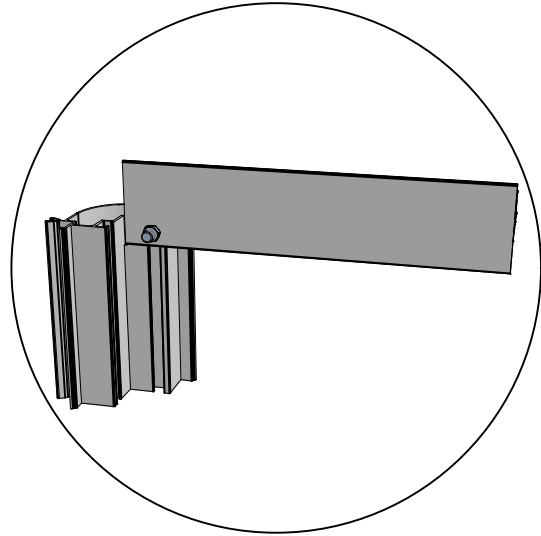




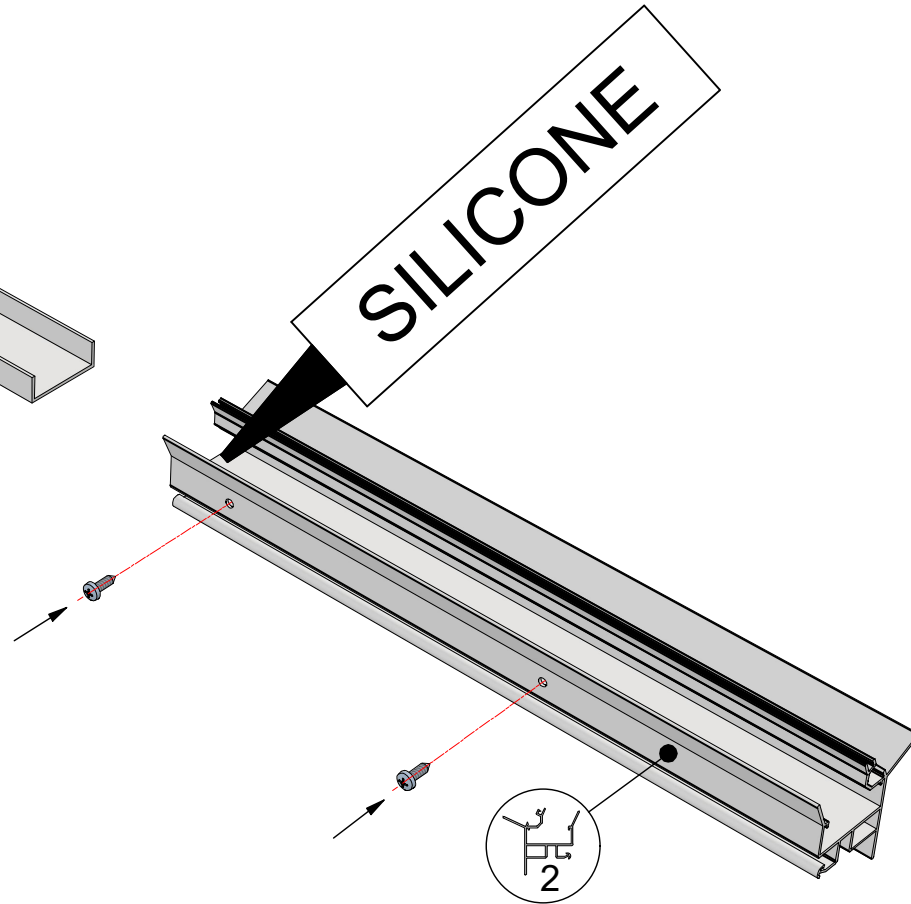
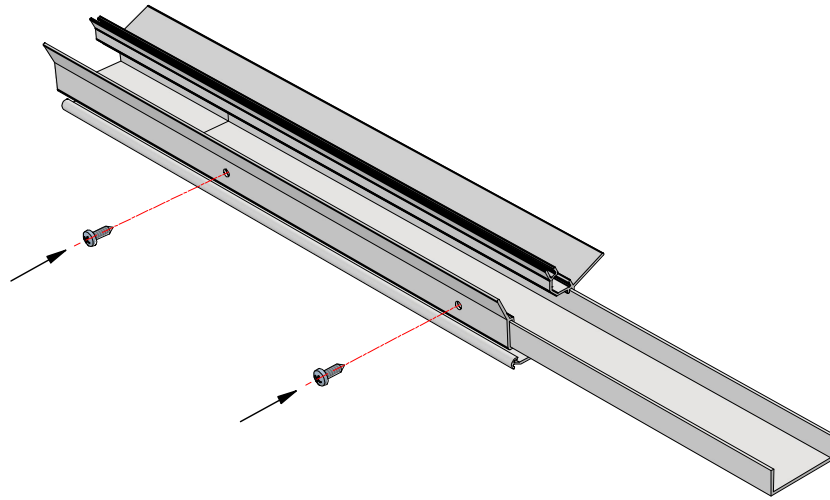
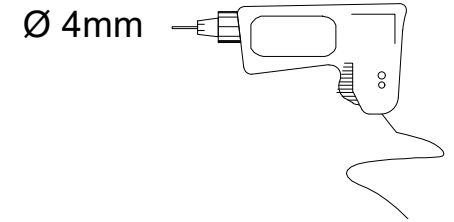
 = M6x12 (8x)



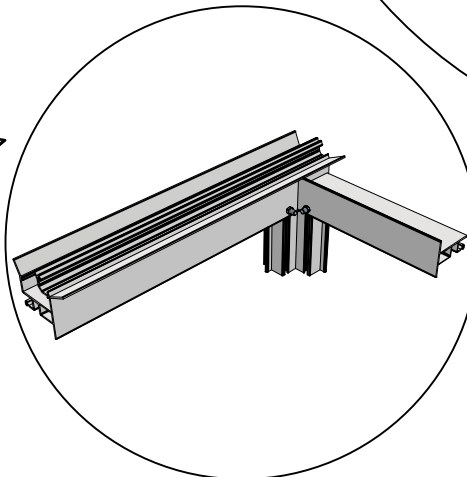
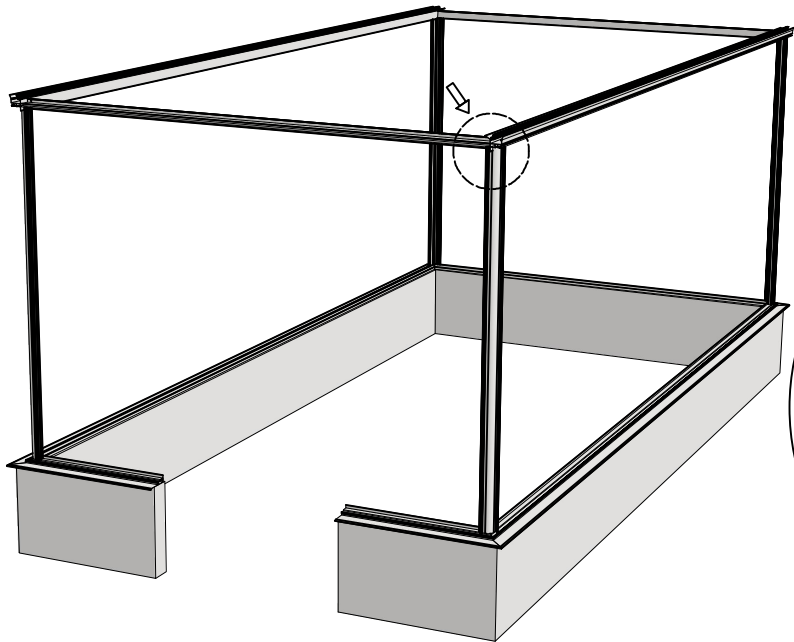
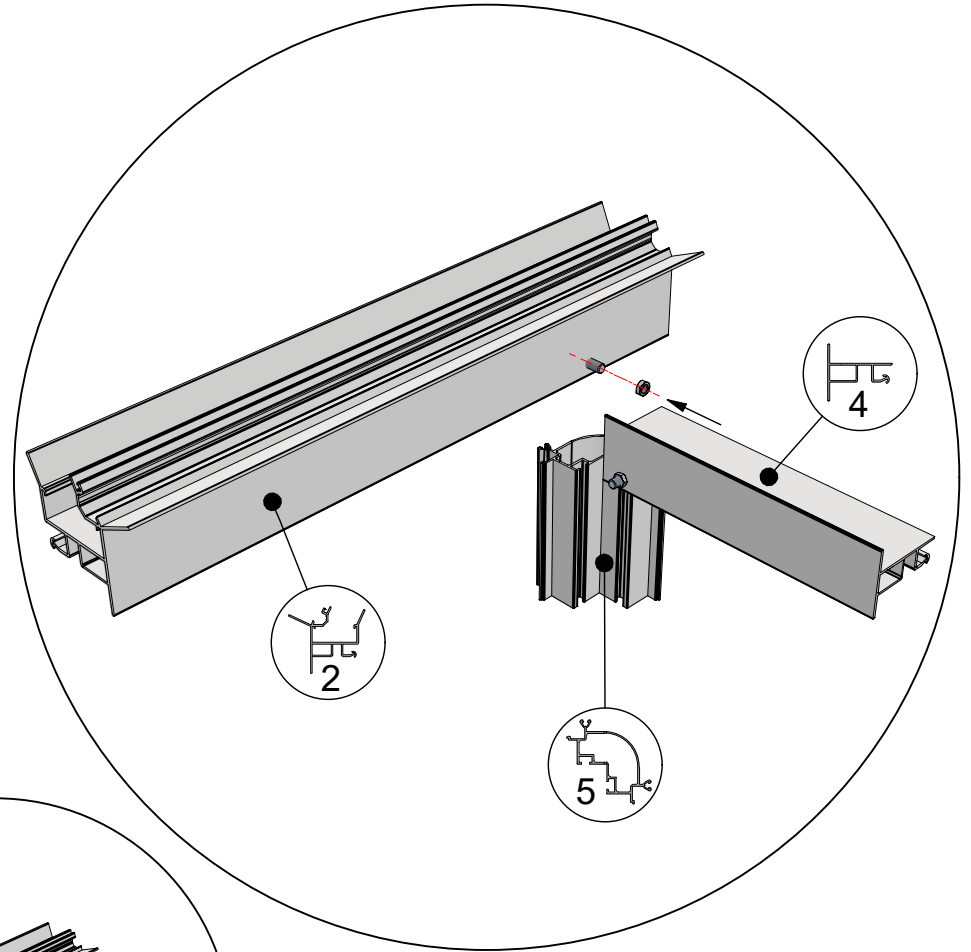
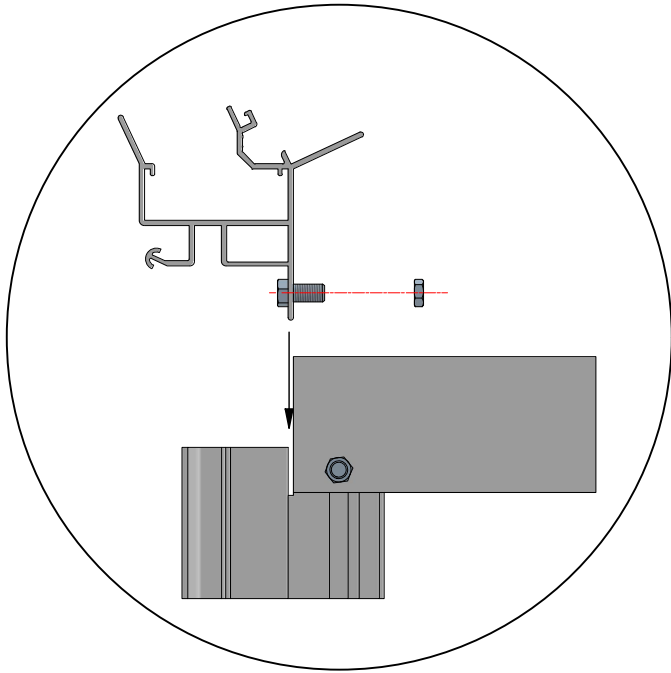
 = M6x12 (4x)




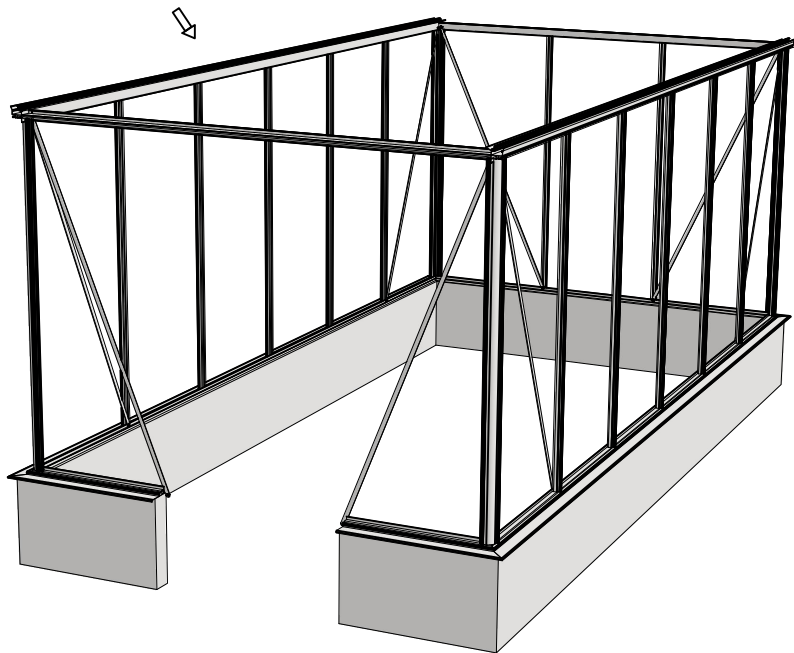
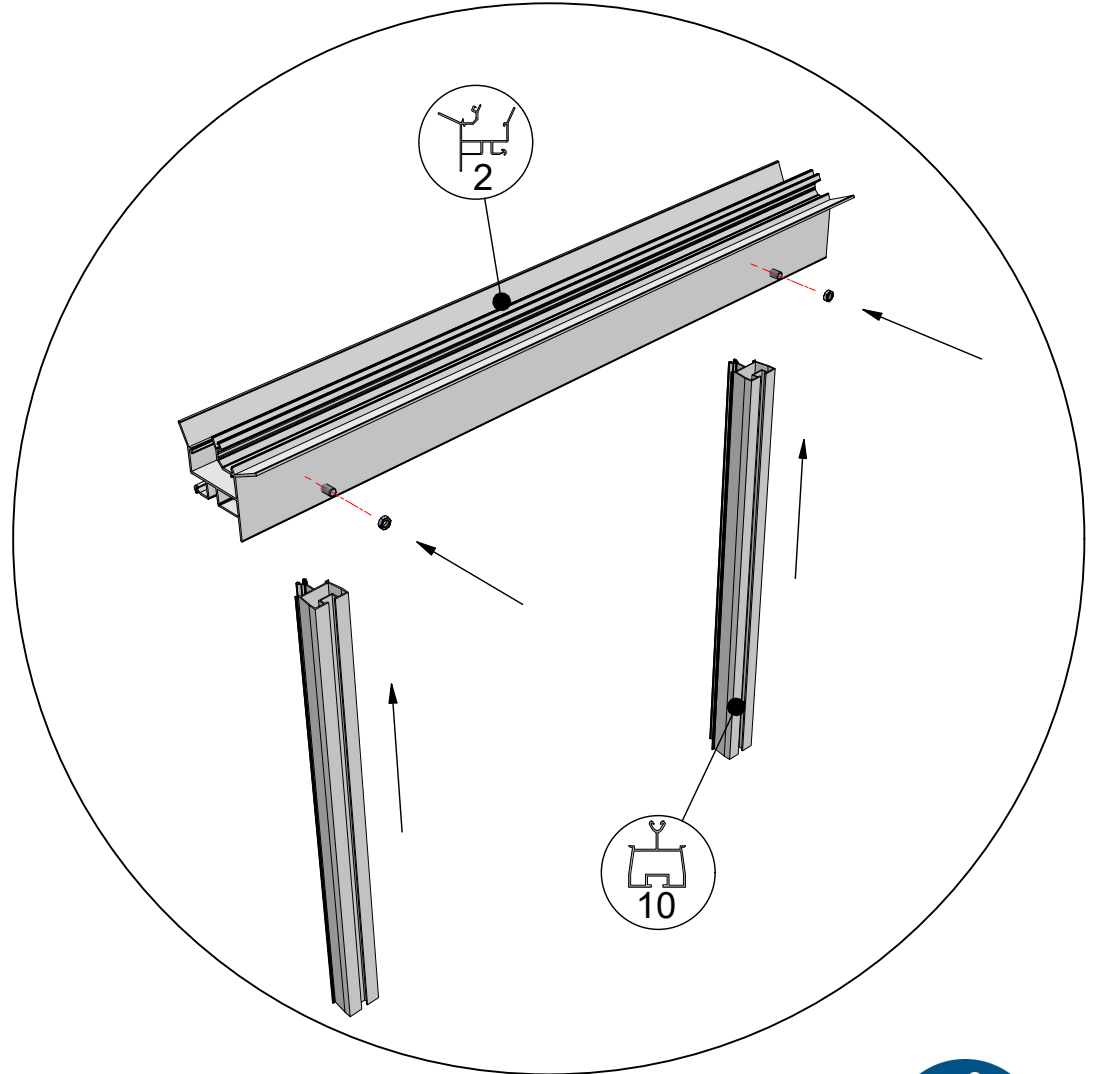
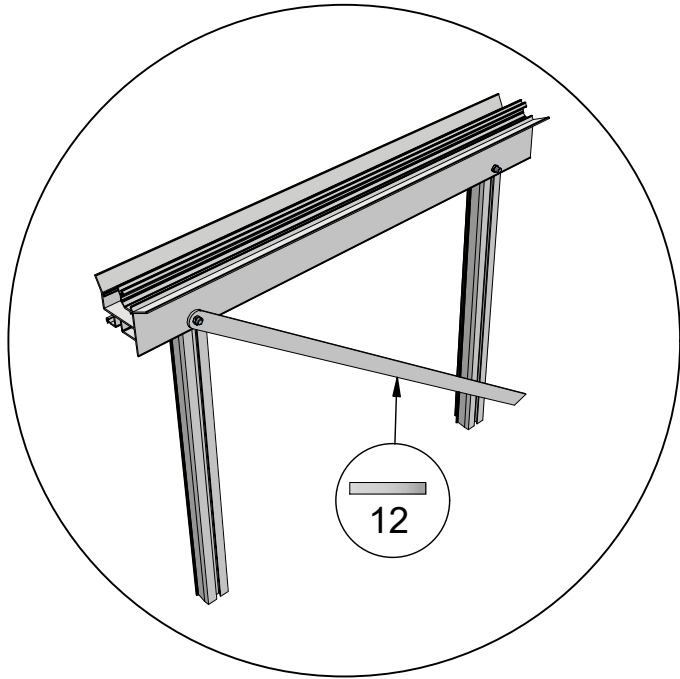
Euro-Maxi > 6,04 + 6,77 + 7,53 + 8,30



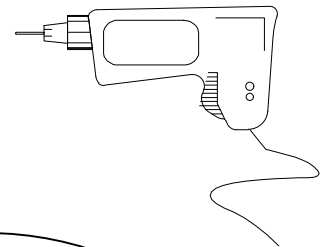
 = M6x12 (4x)

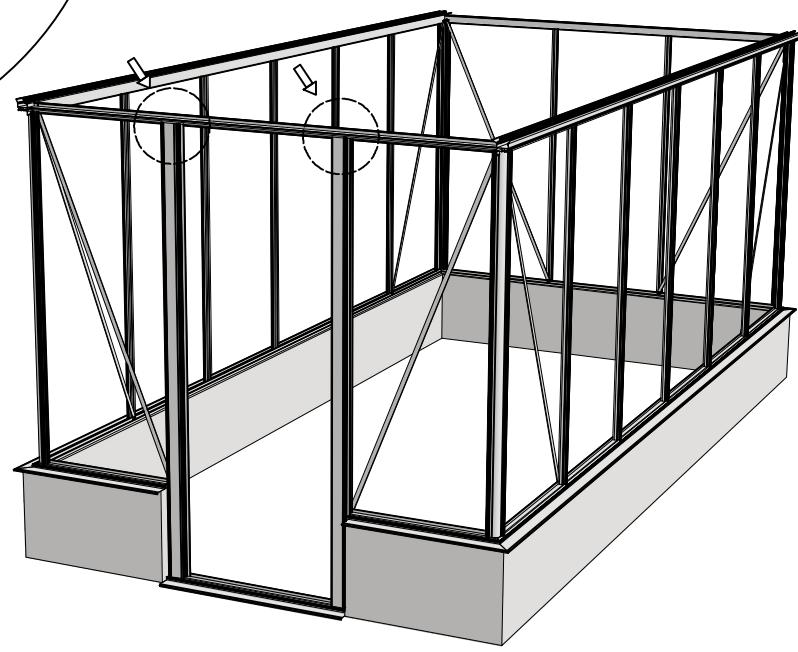
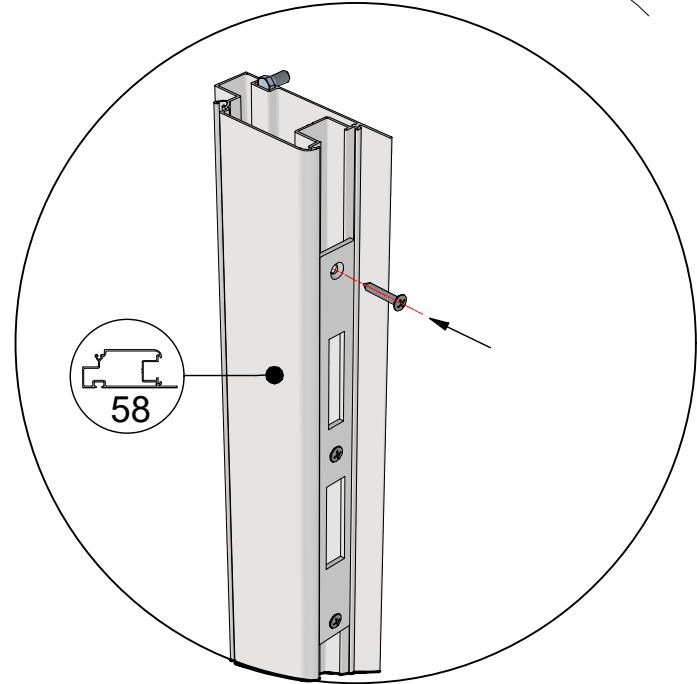
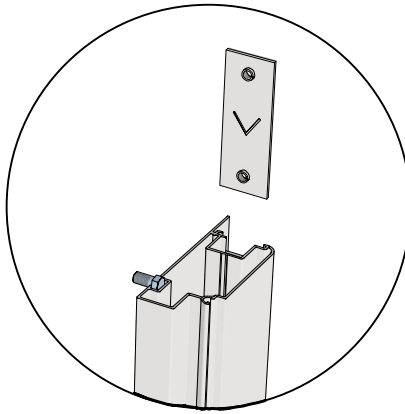
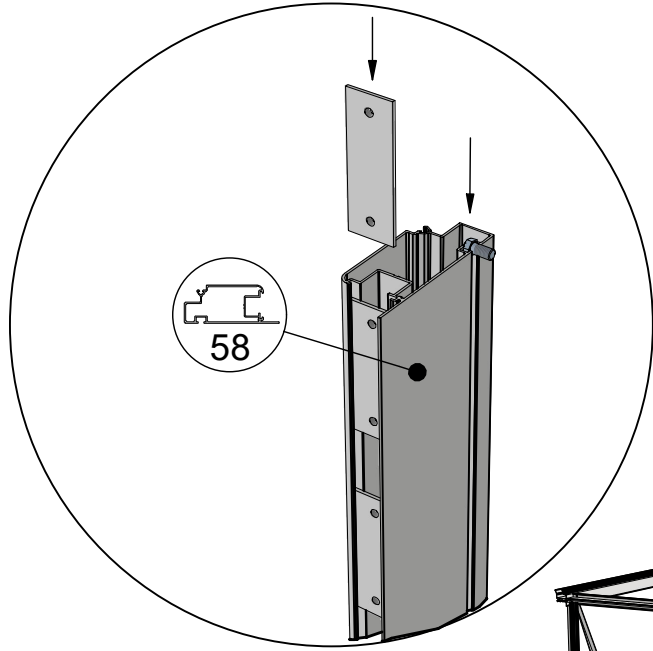


 = M6x12



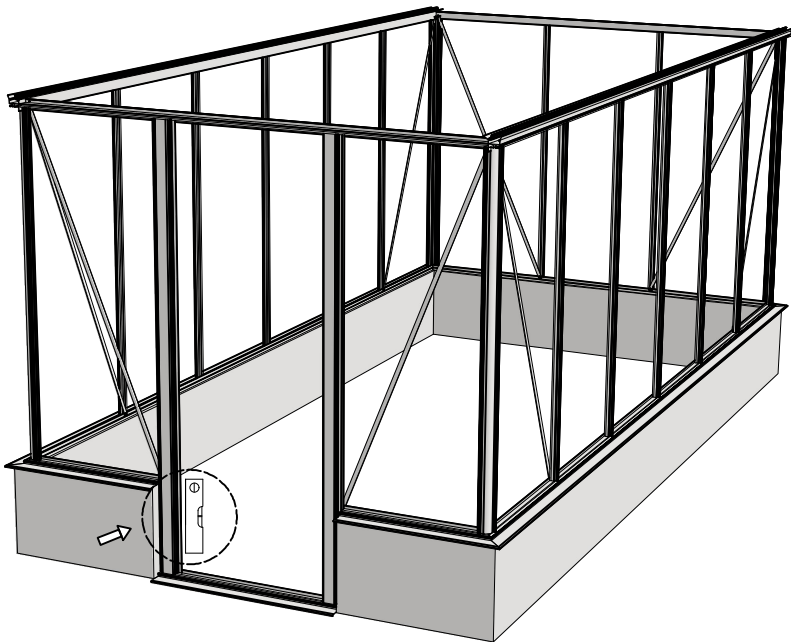
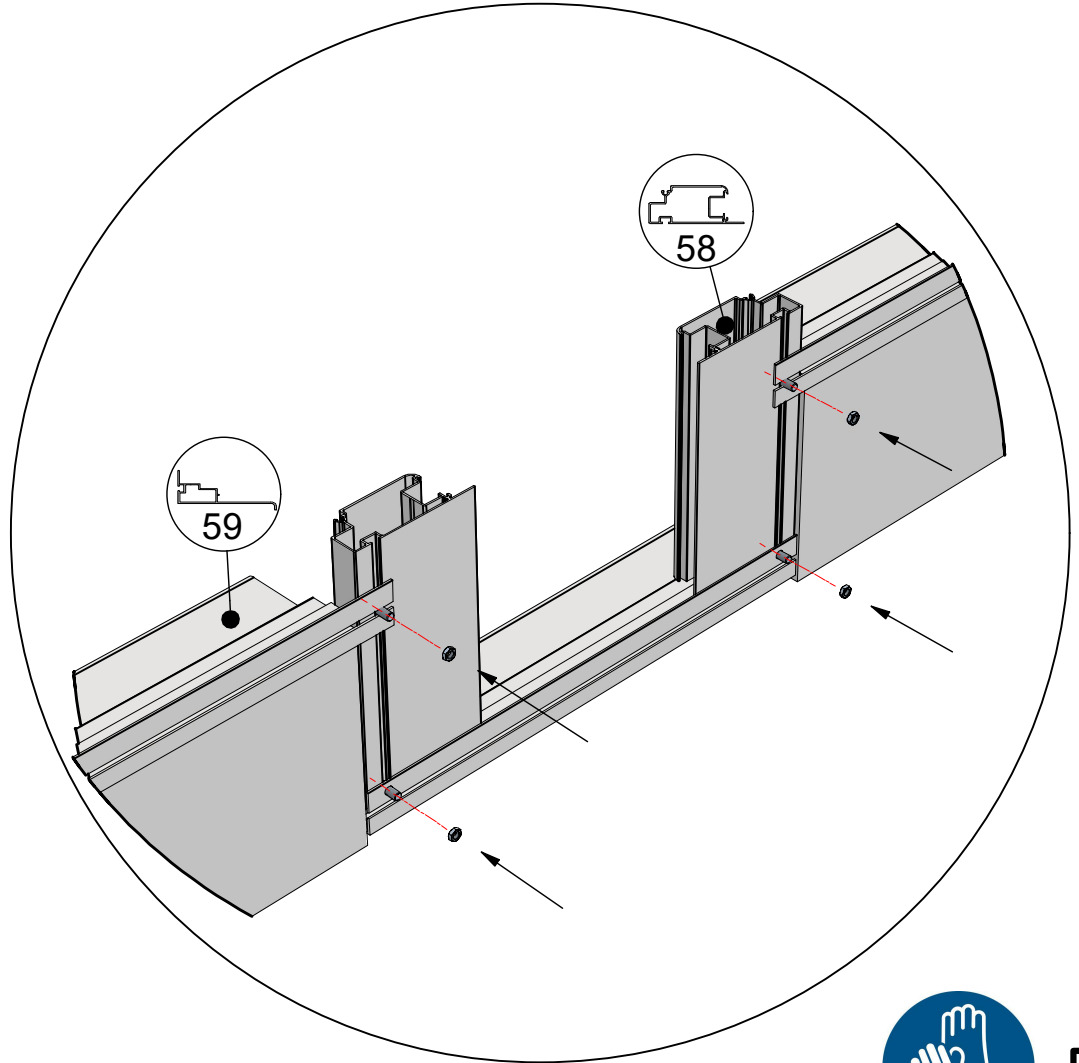
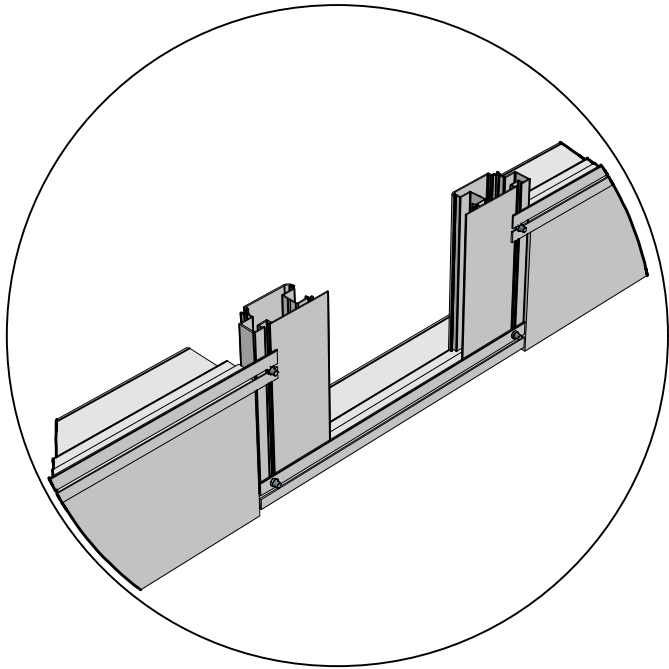
  = 4,2x25 (3x)

Ø4 mm 

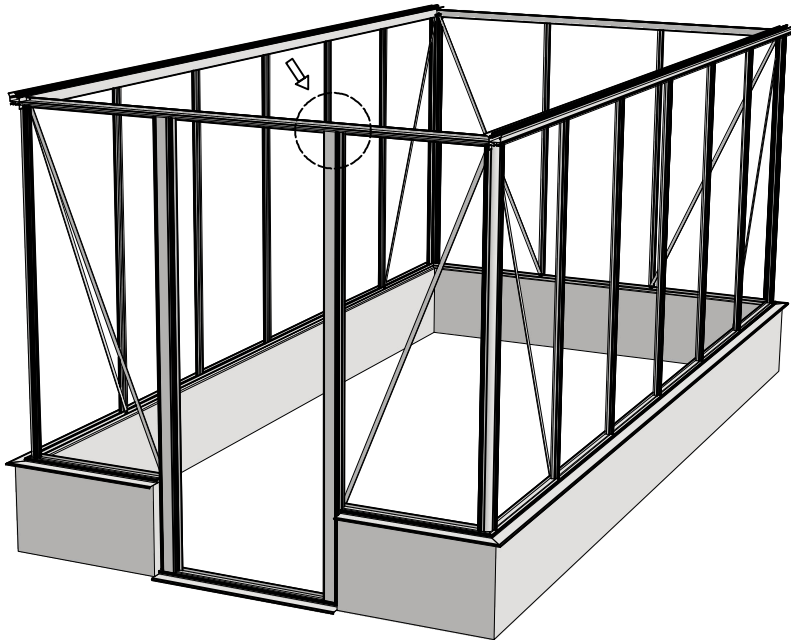
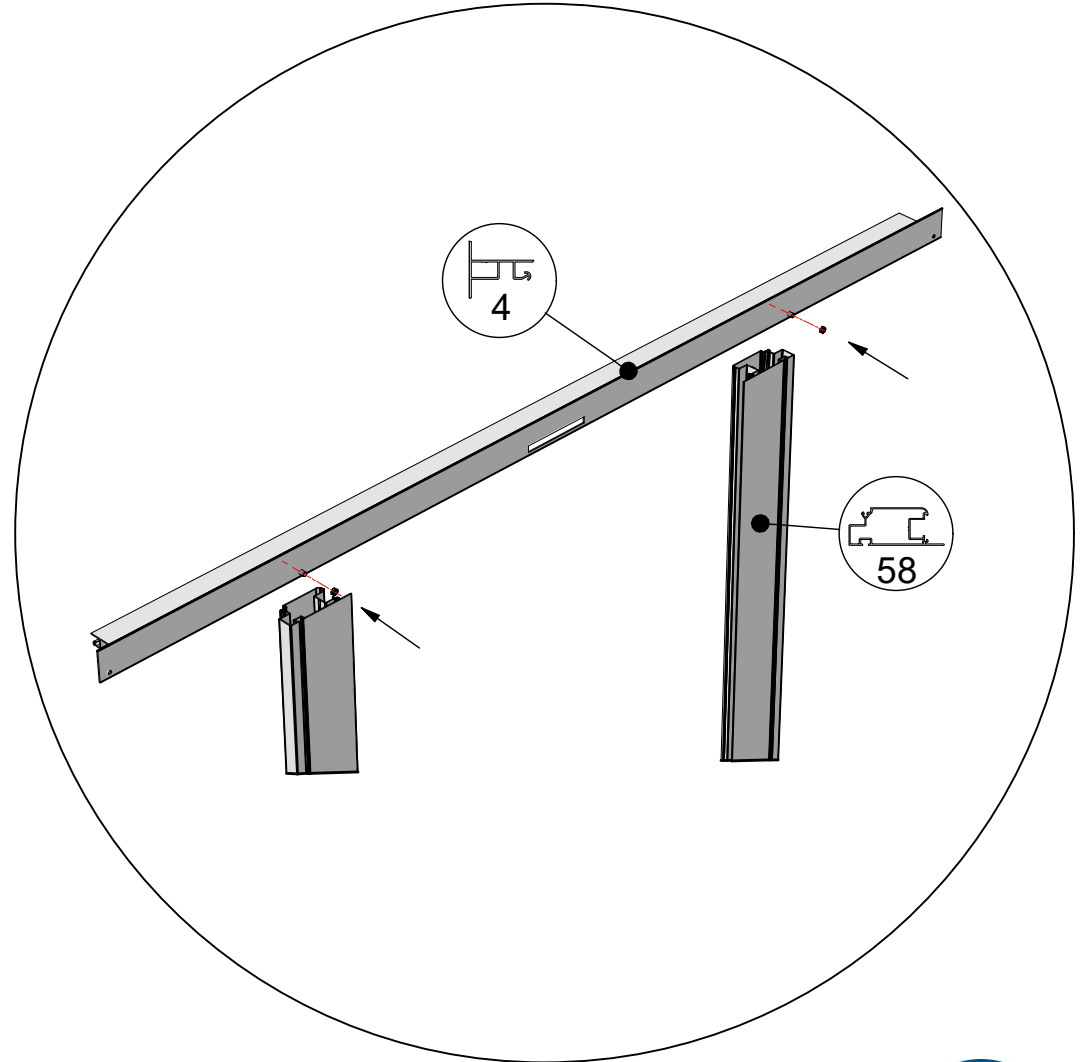
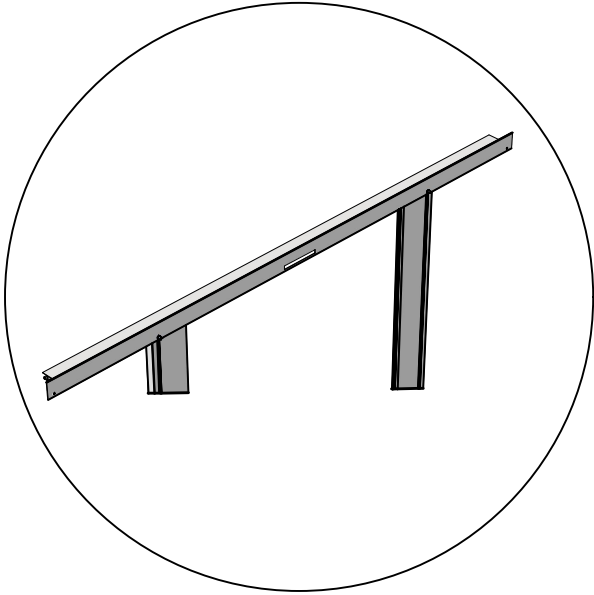




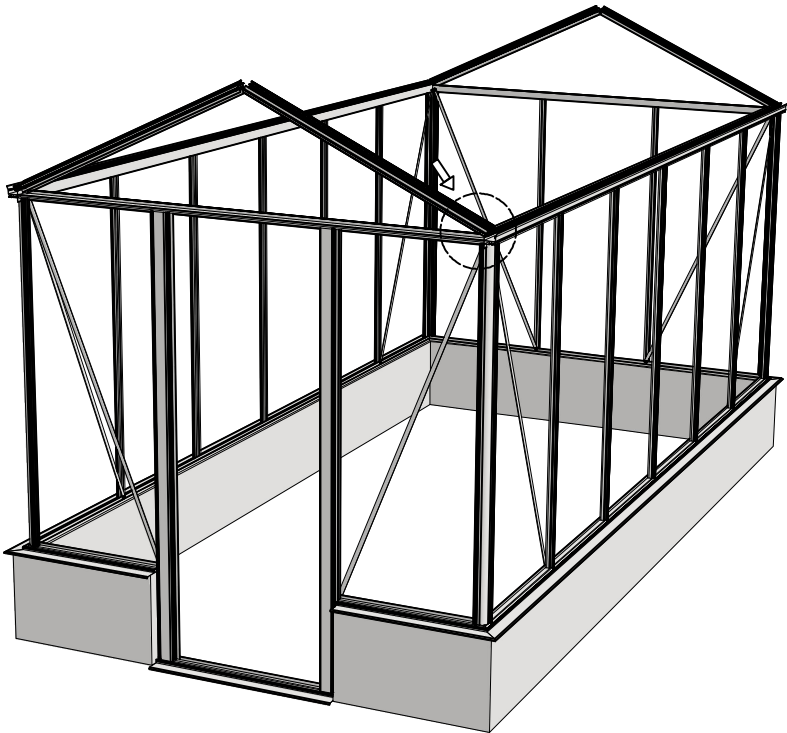
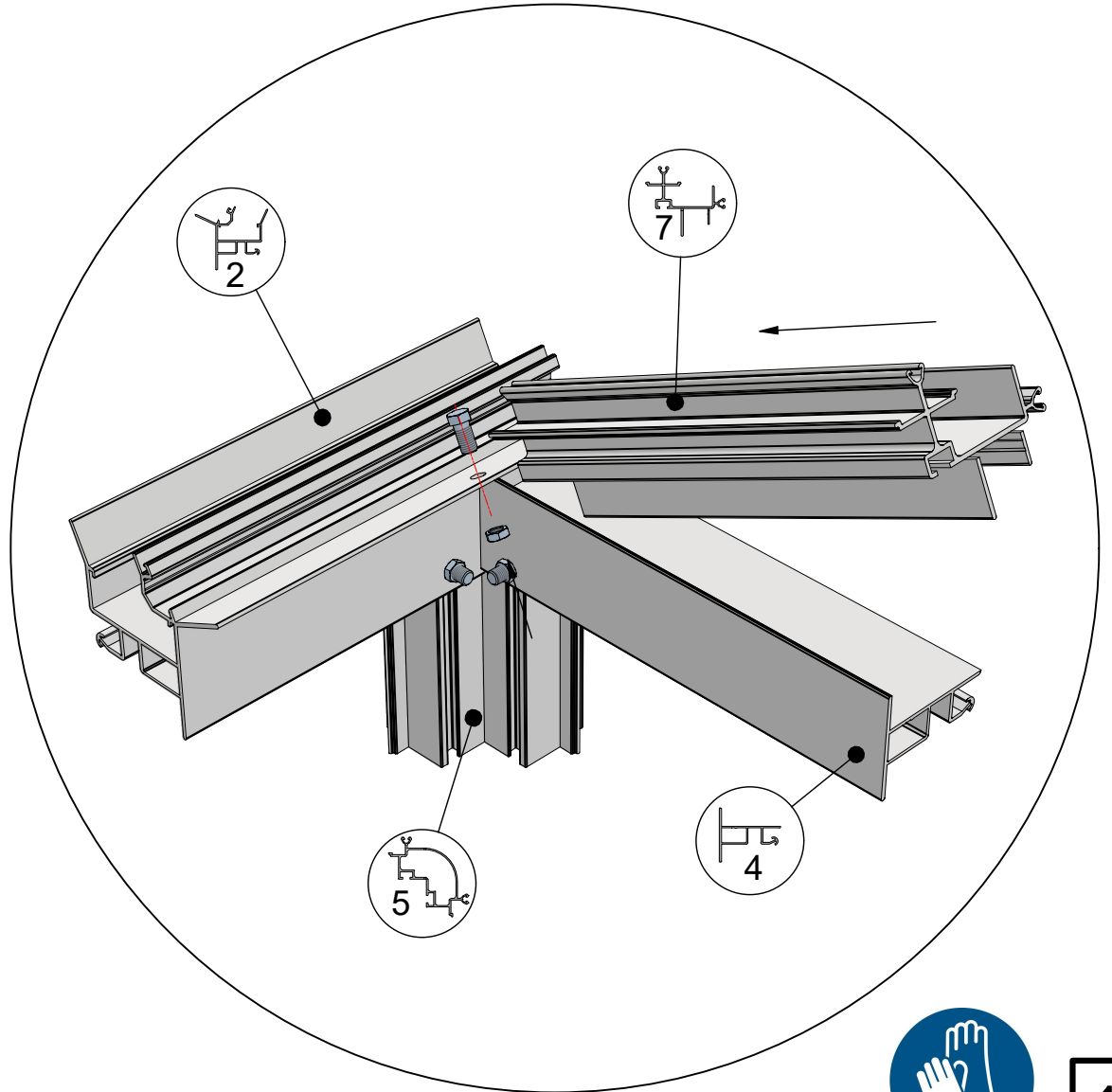
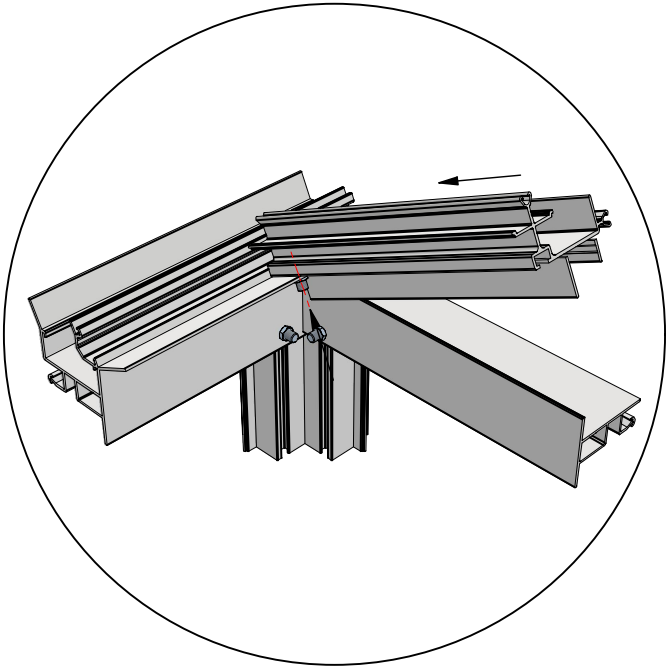
 = M6x12 (4x)





 = M6x12 (2x)

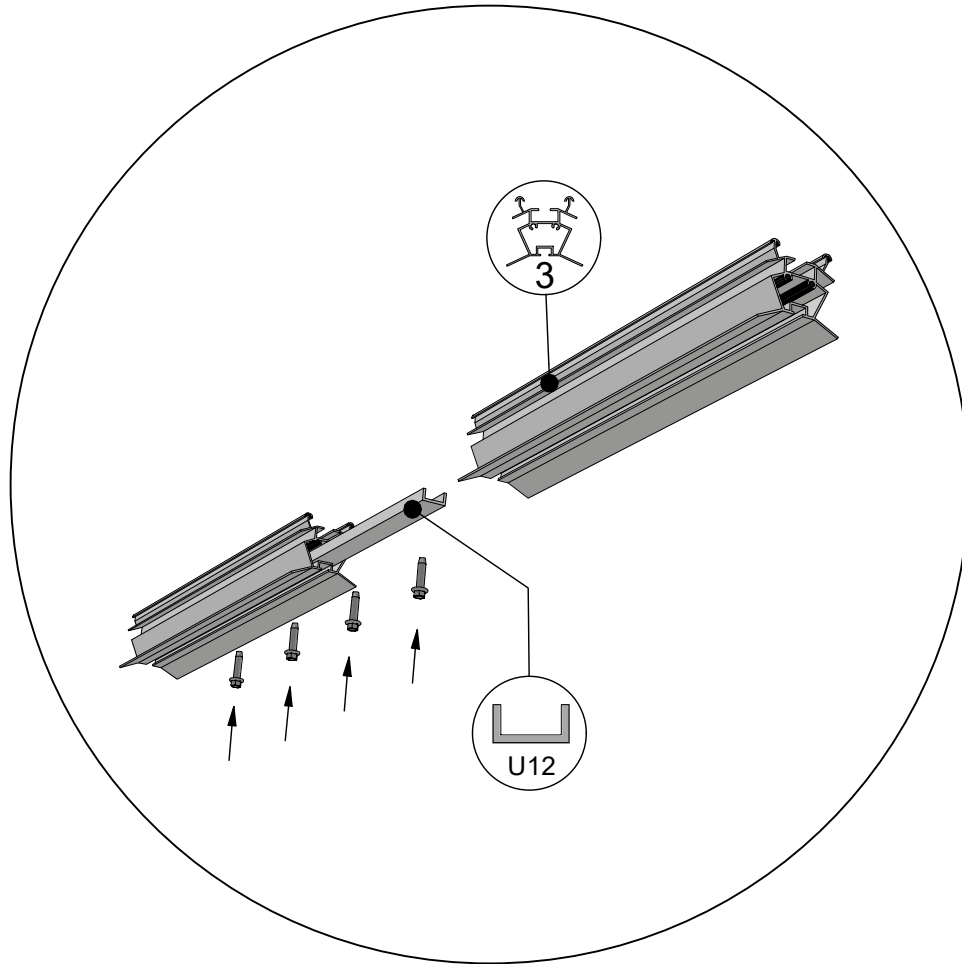


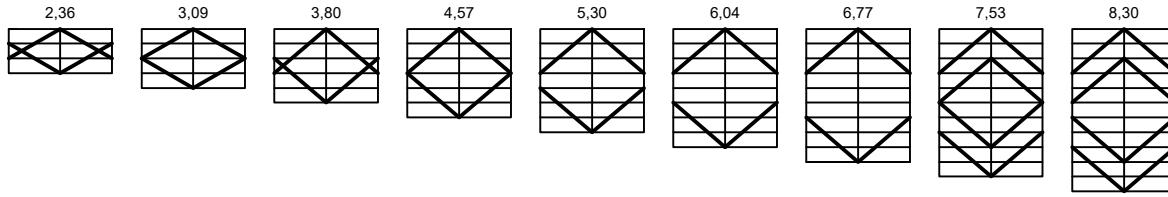
 = M6x12 (4x)



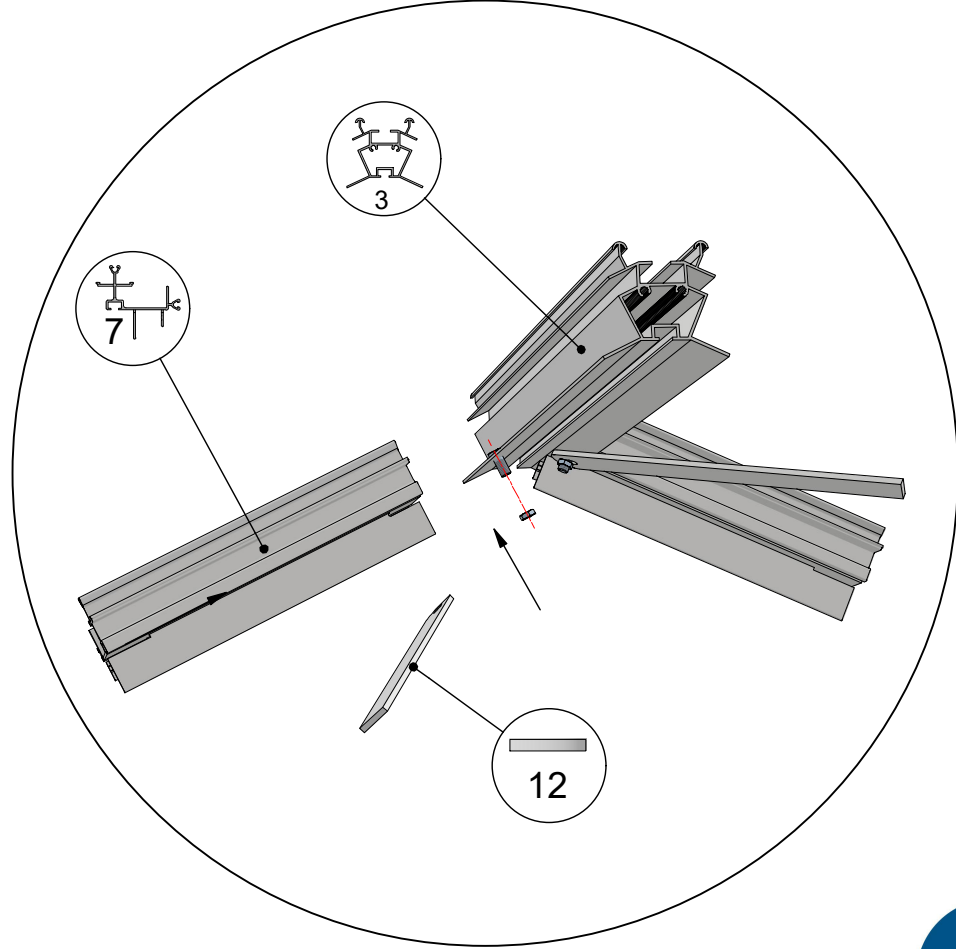
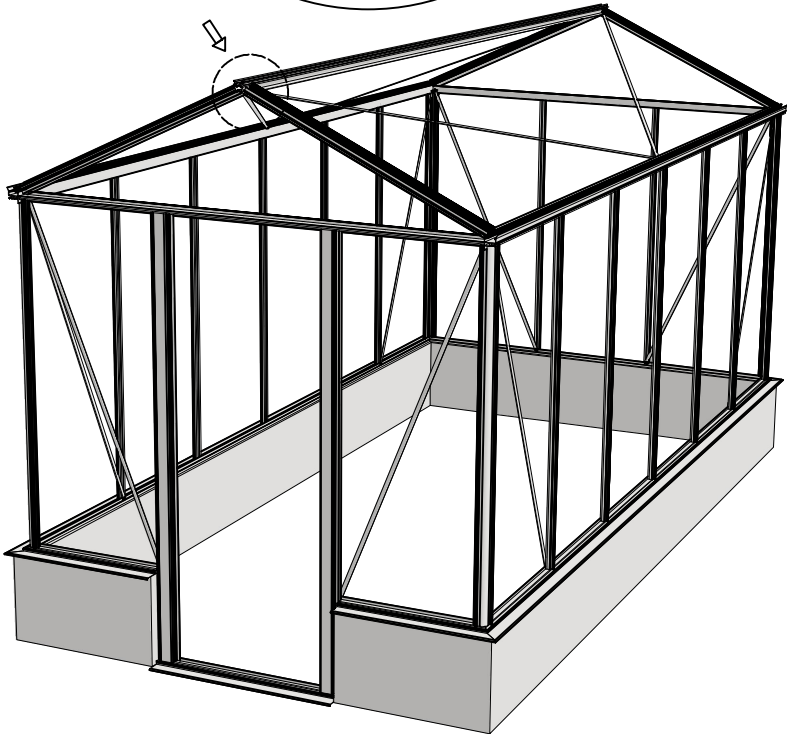
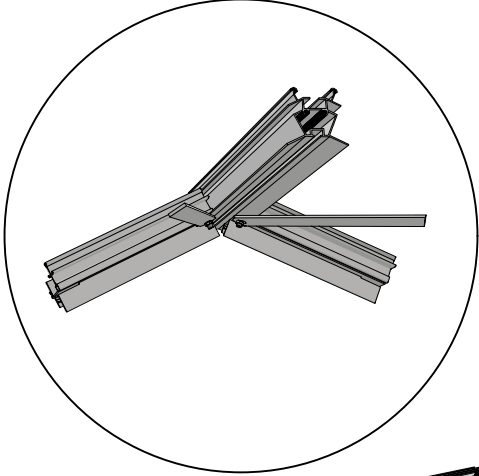
Euro-maxi > 6,04 + 6,77 + 7,53 + 8,30

  = 6x25 (4x)

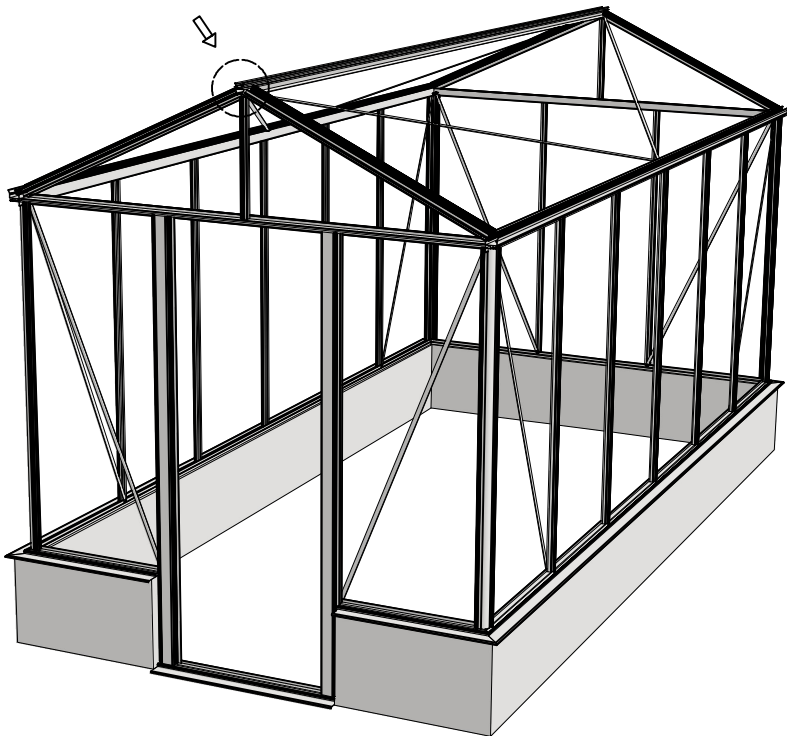
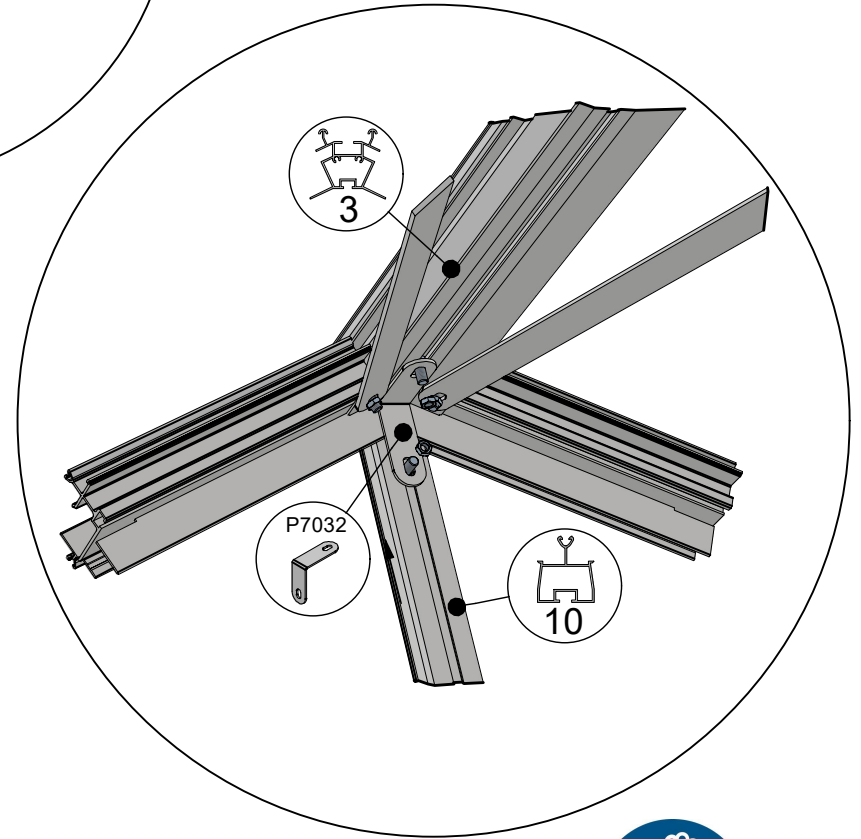
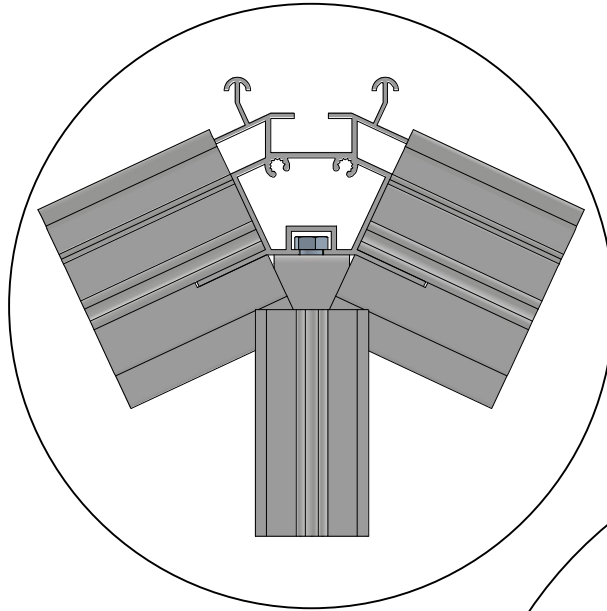
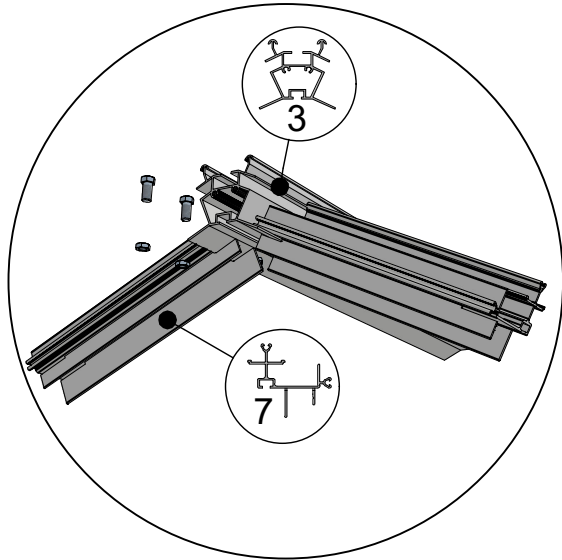





 = M6x12 (4x)

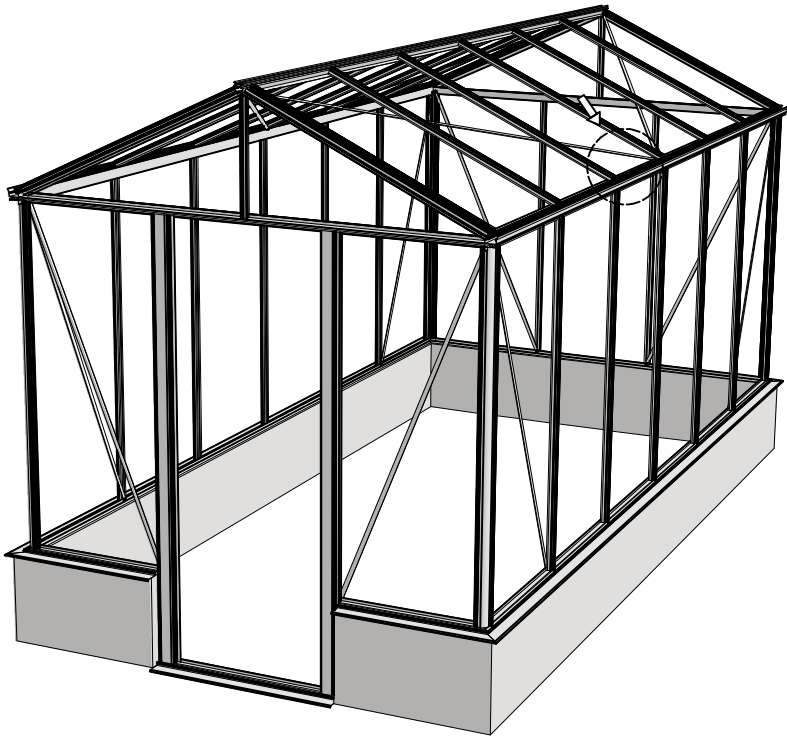
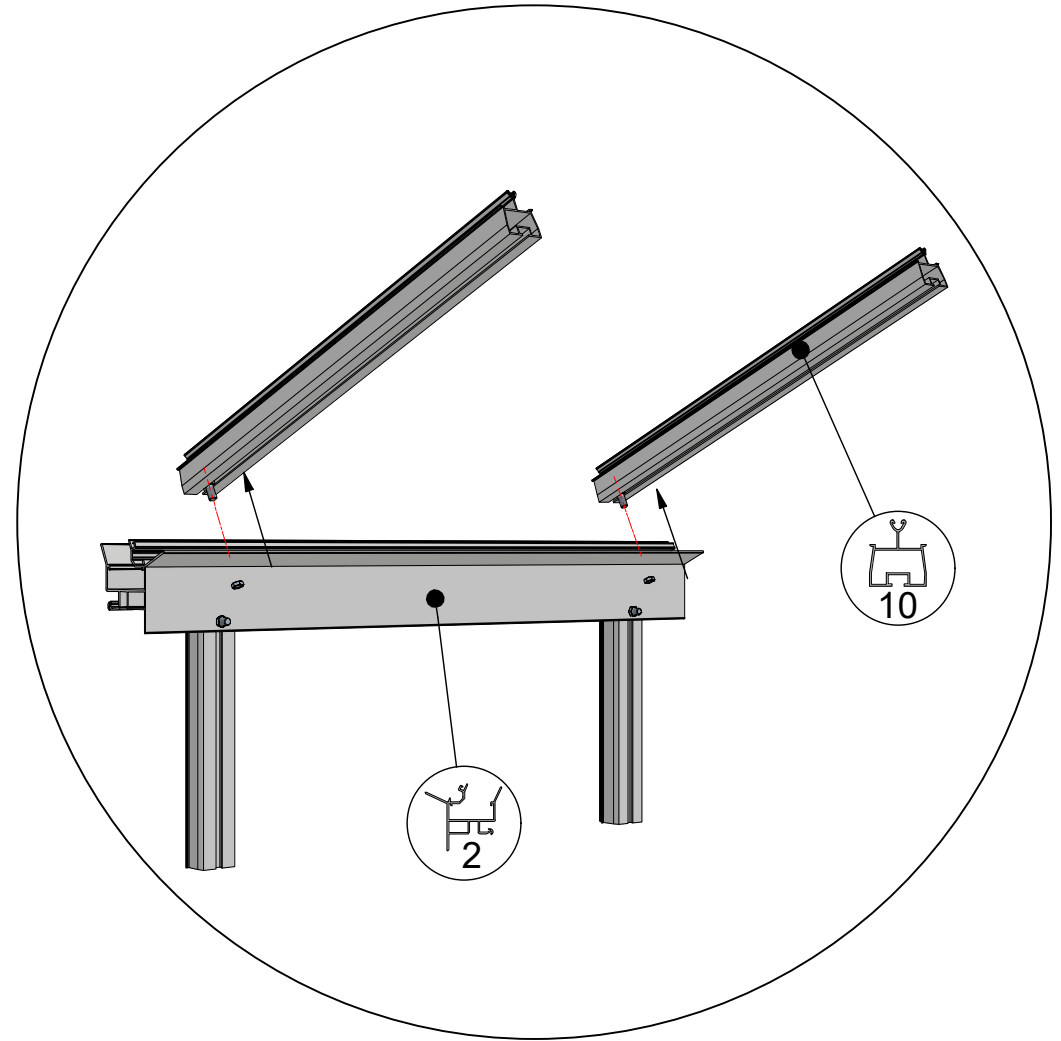
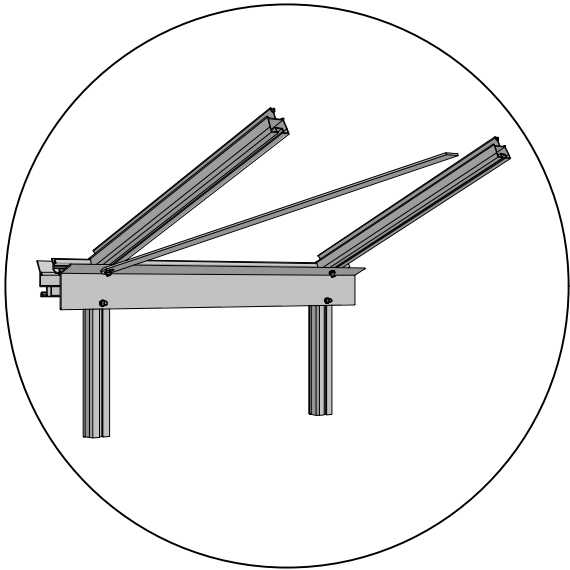



 = M6x12 (4x)

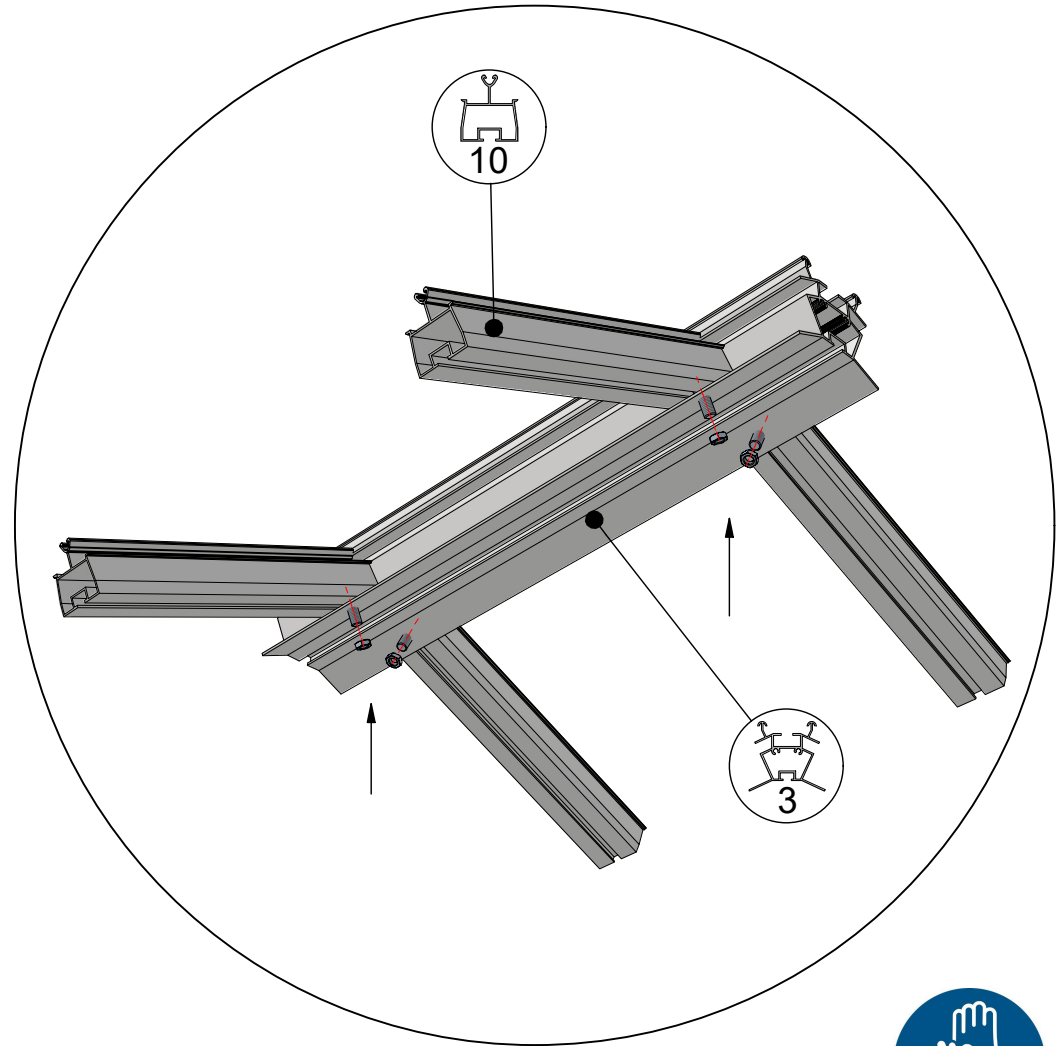
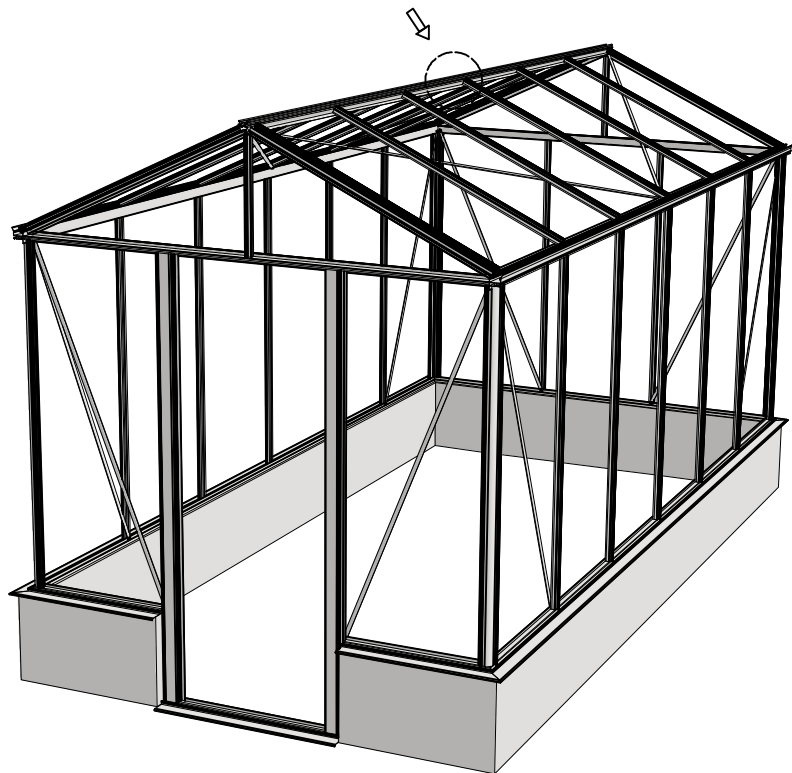
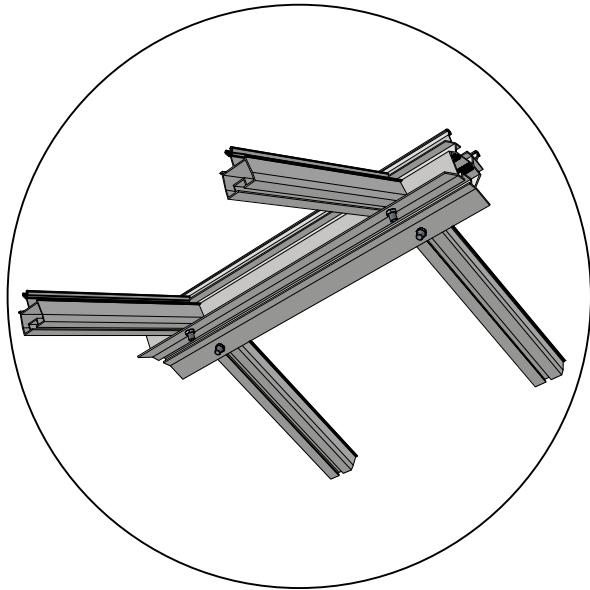




 = M6x12

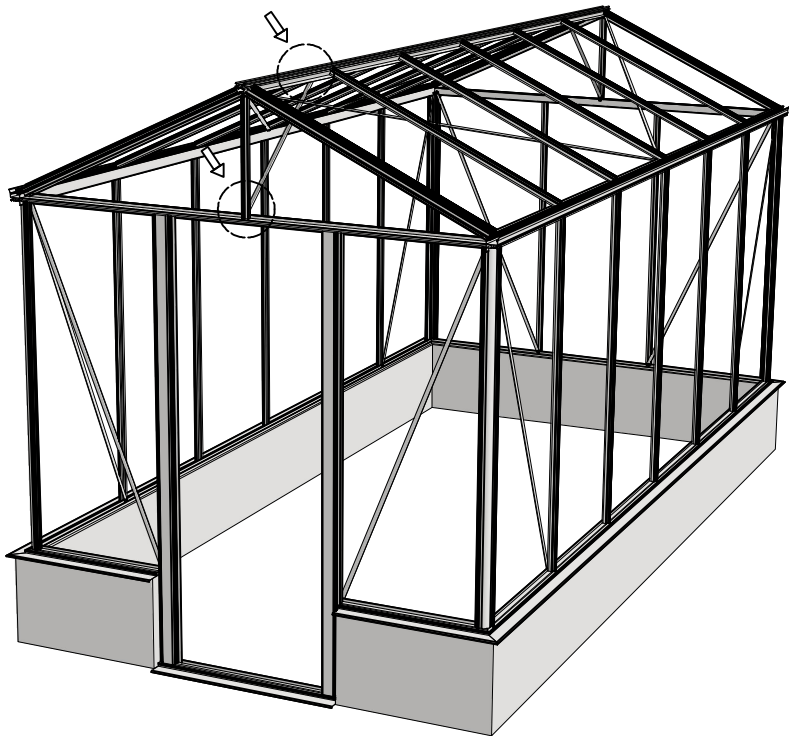
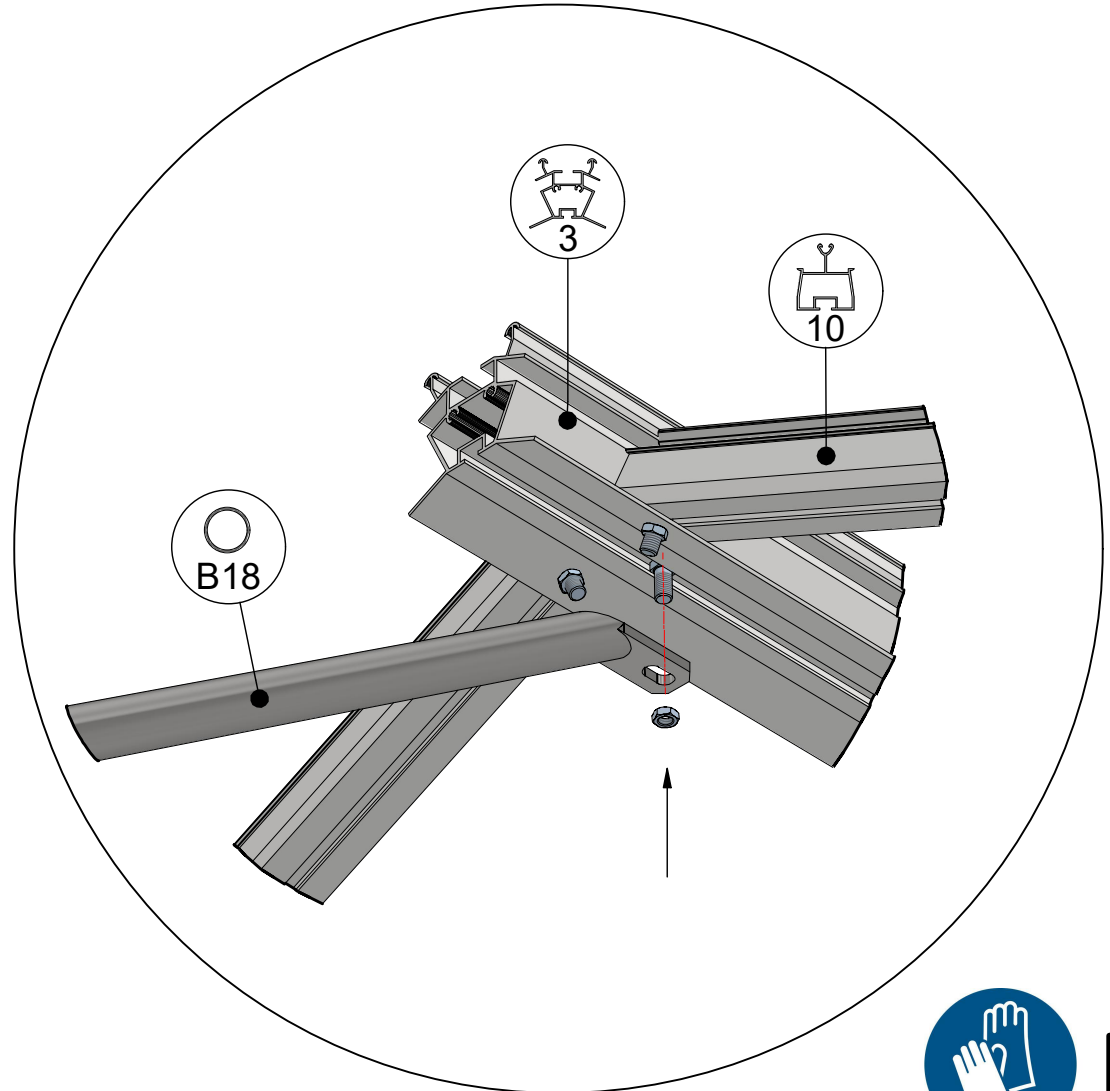
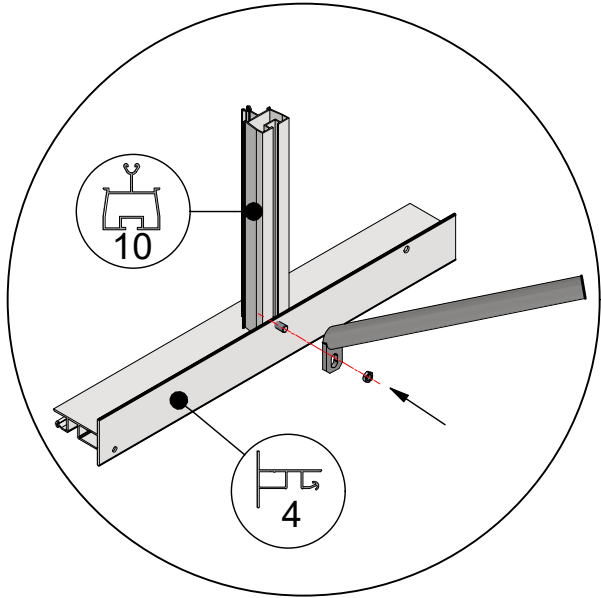


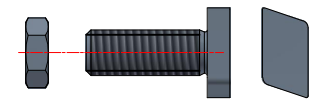
 = M6x12

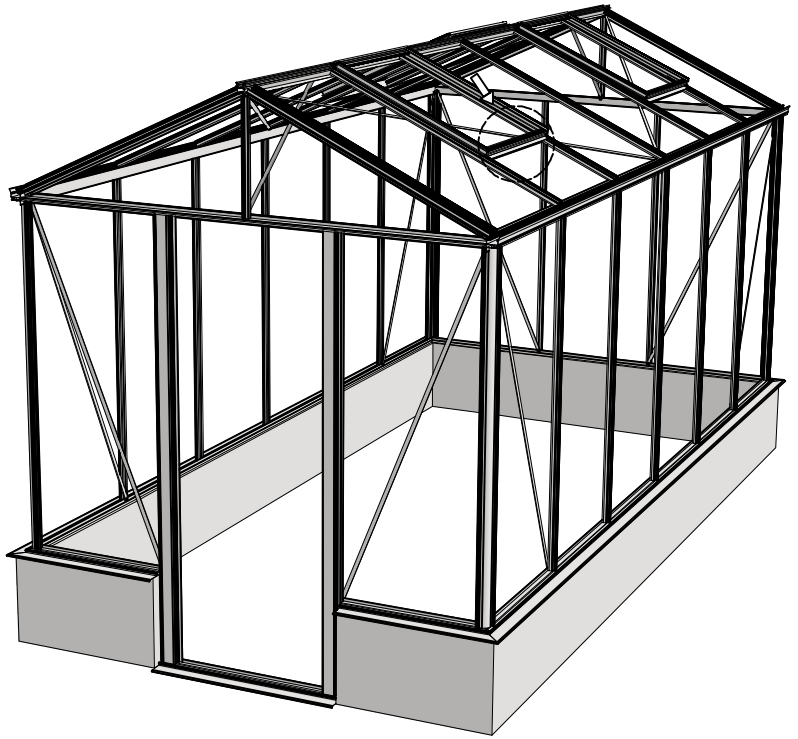
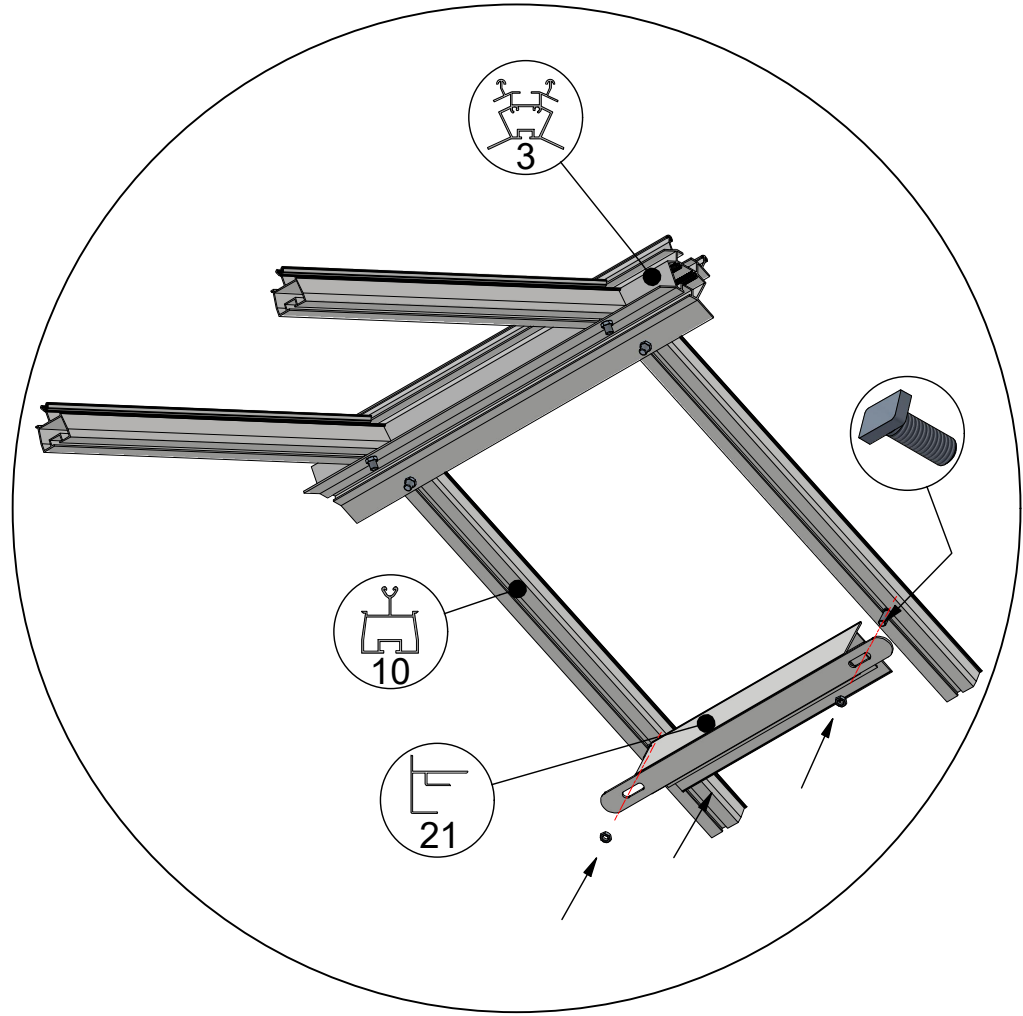
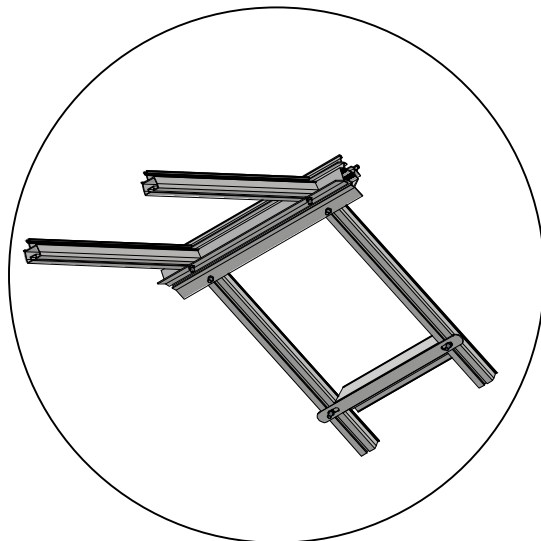




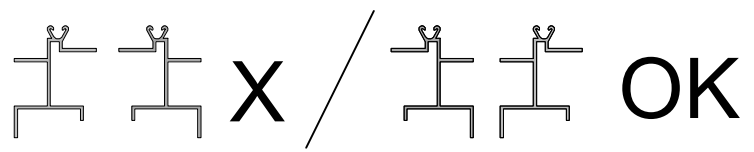
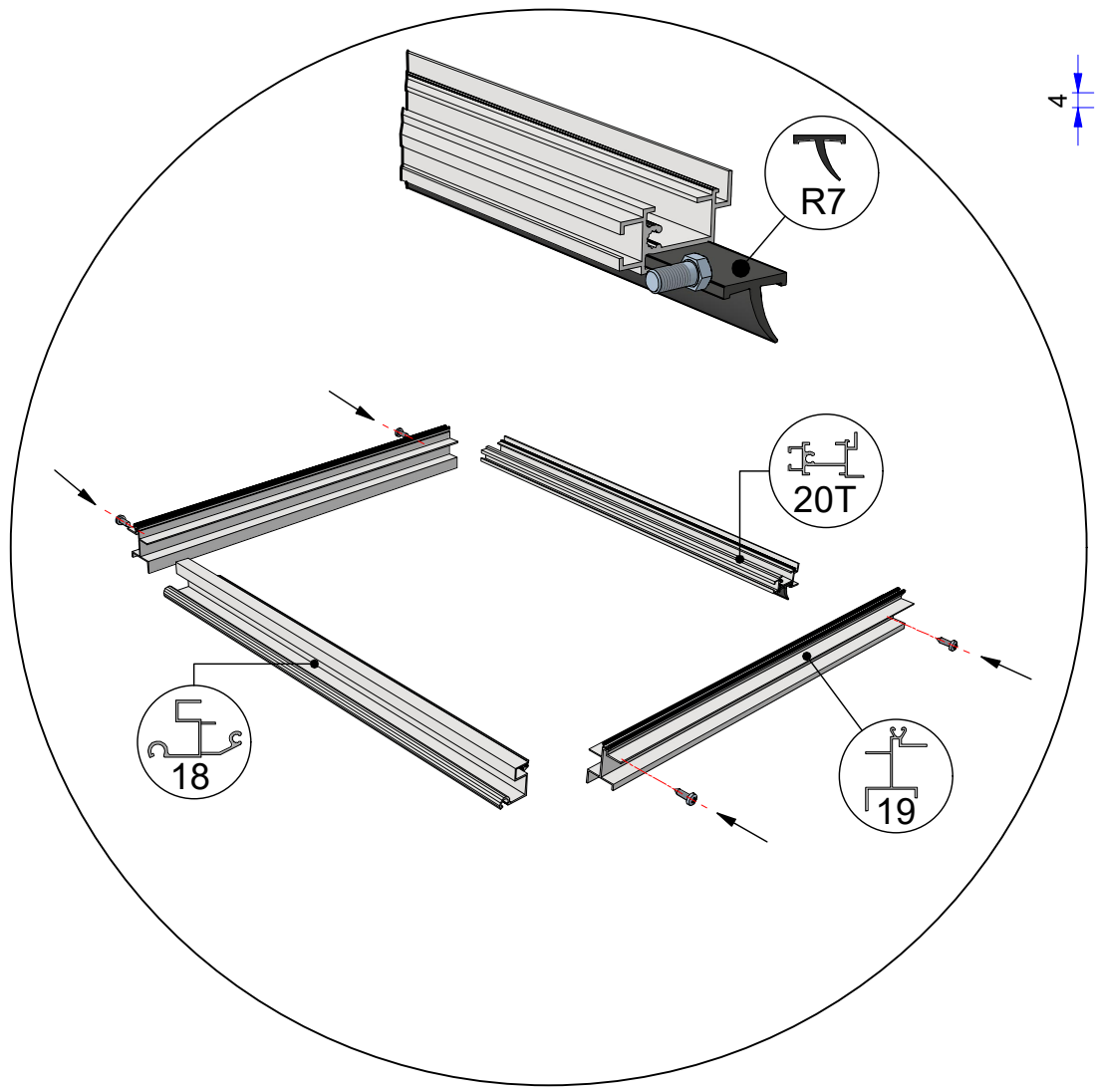
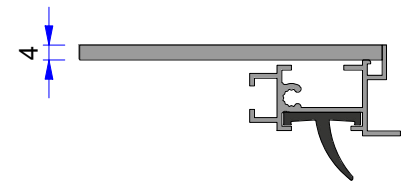
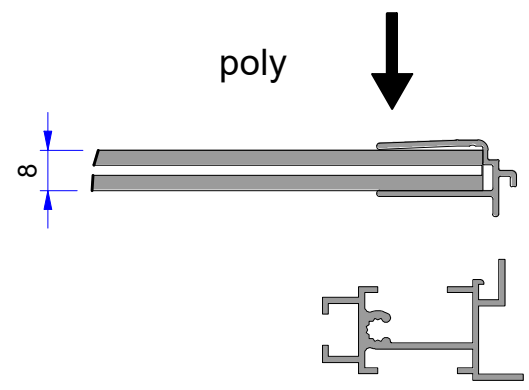
 = M6x12 (4x)

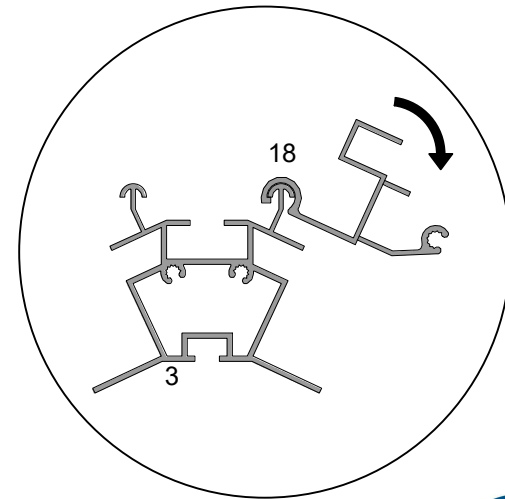
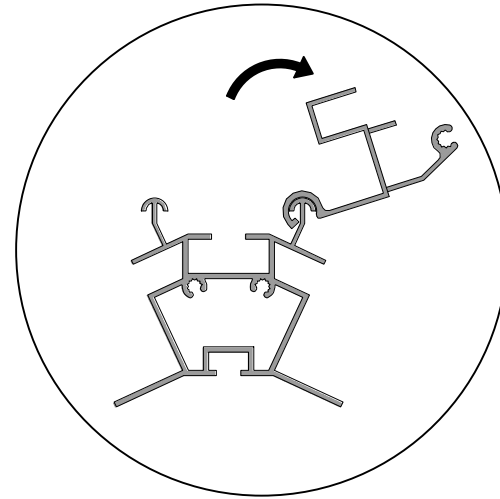
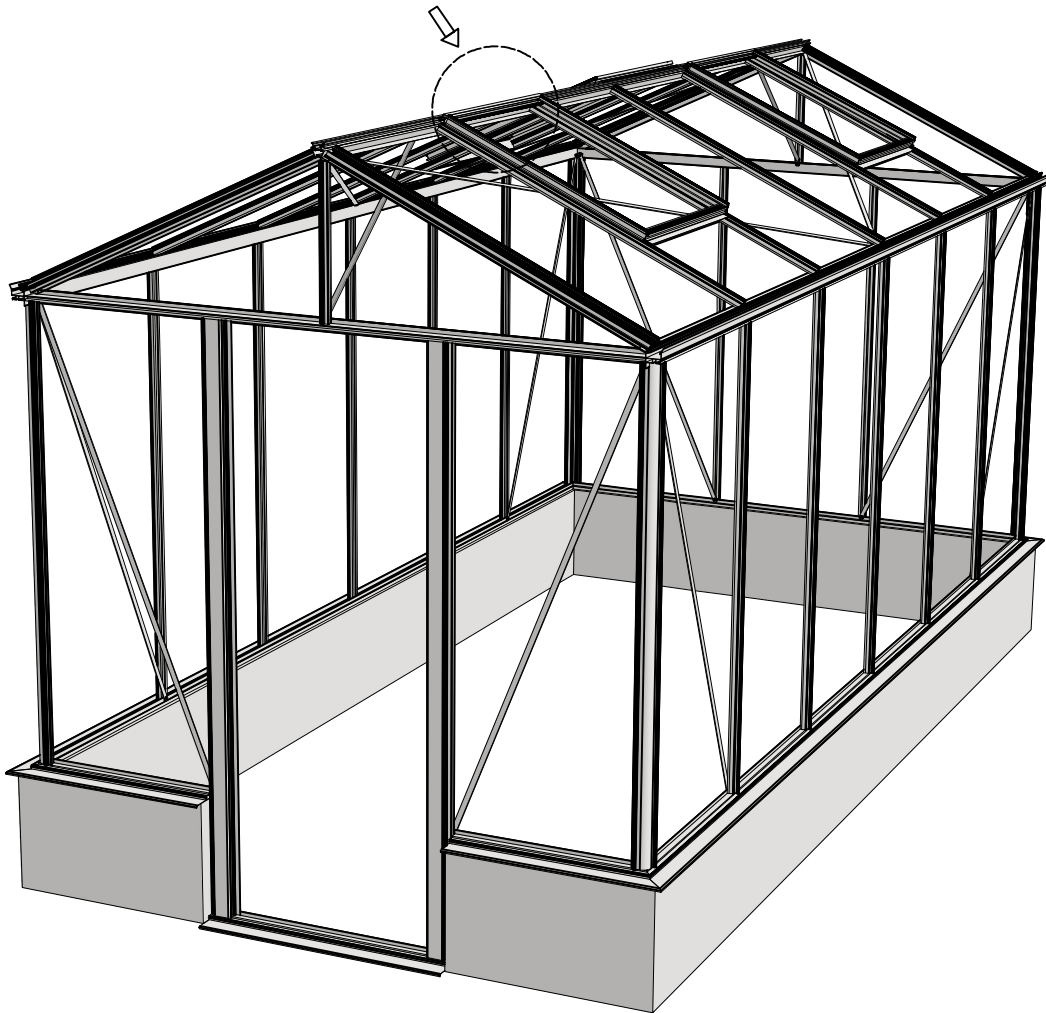


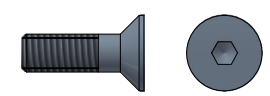
 = M6x16

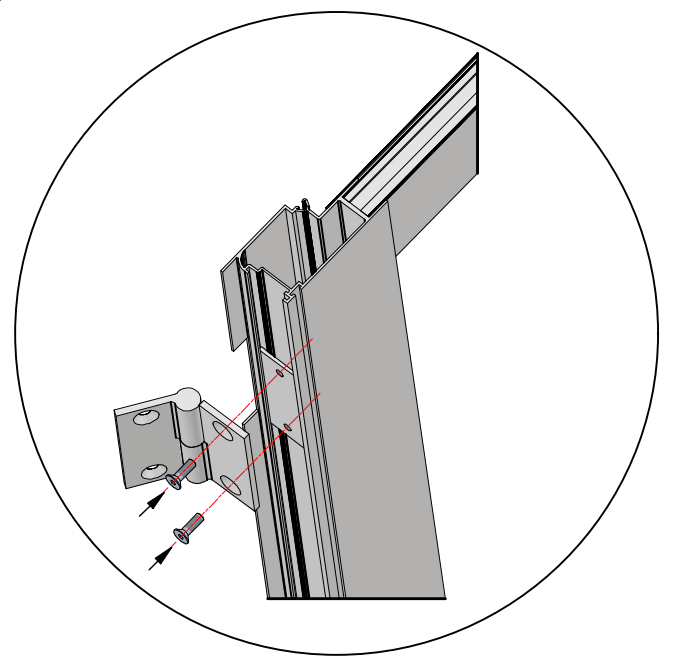
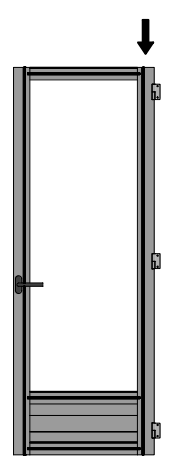
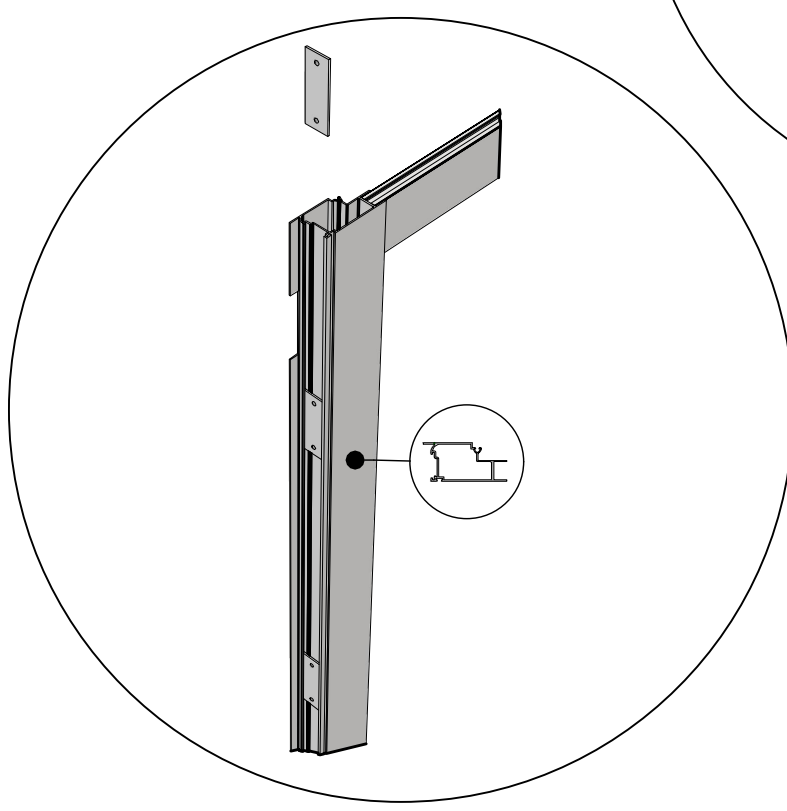
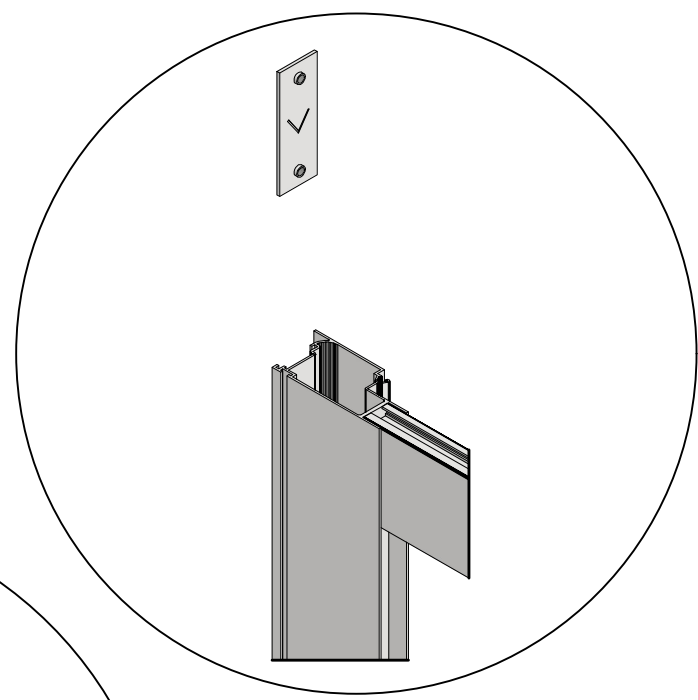


 = 4,8x16 (4x)



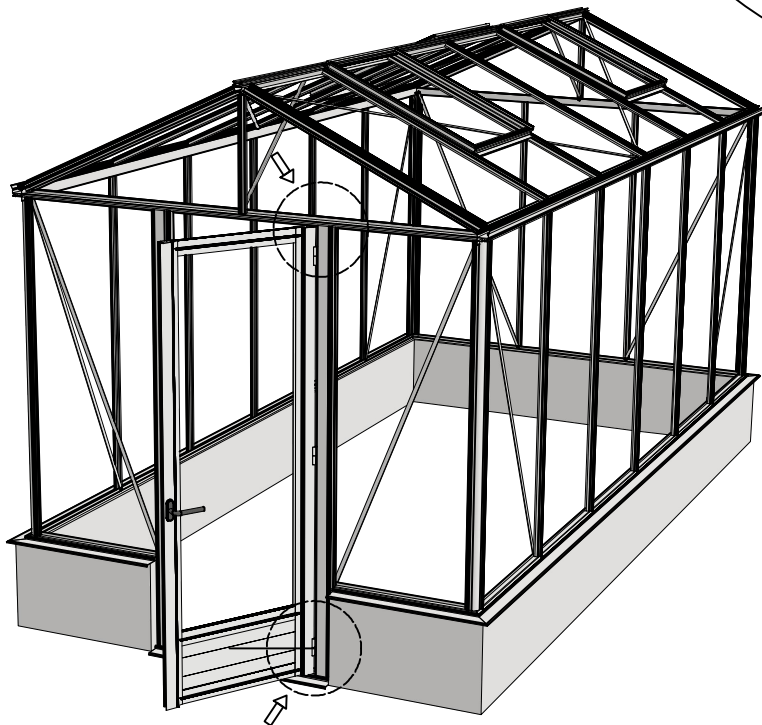
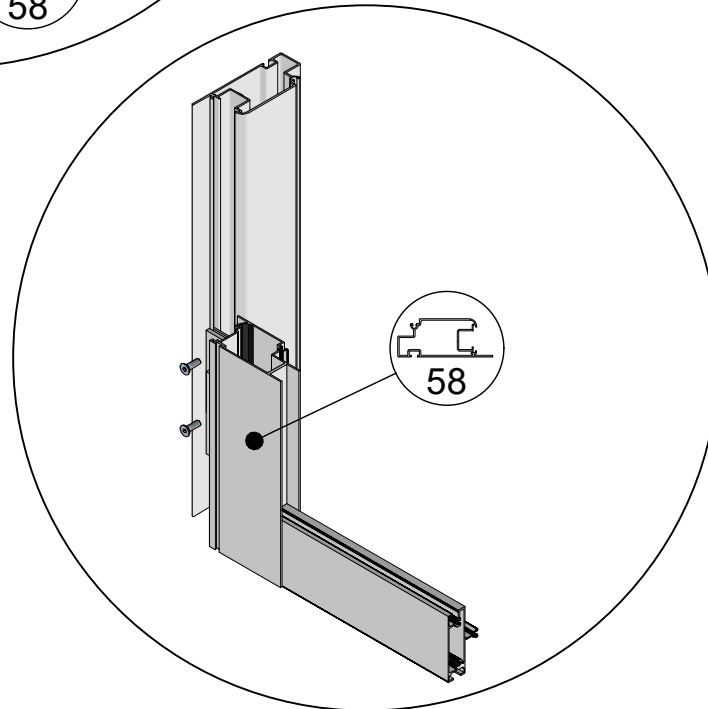
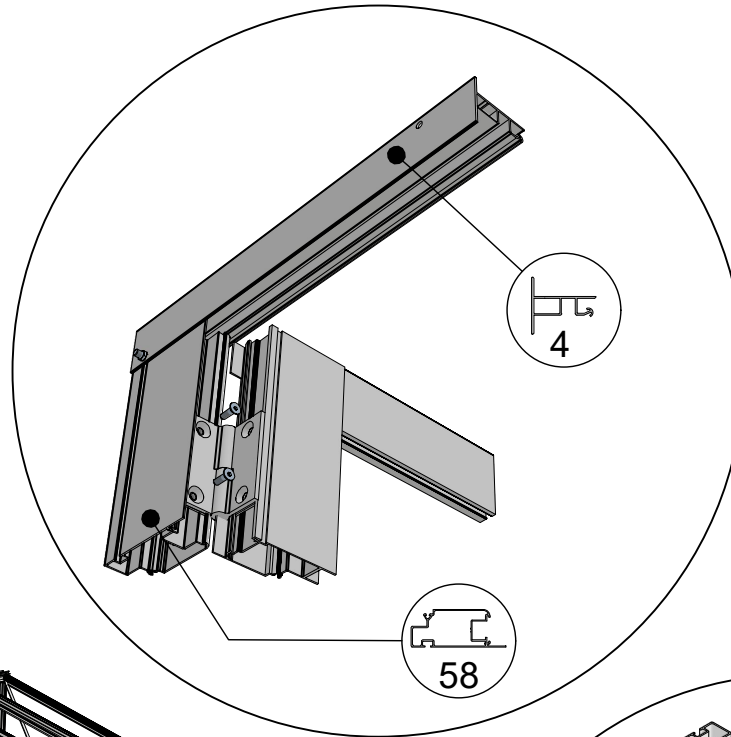


 = M6x10



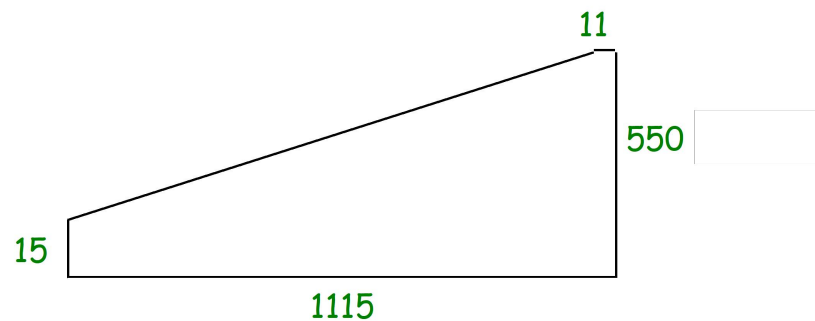


= M6x10



Glass Dimensions Nv Euro-serre		Maxi on wall 2,36m			GlassH: 1650 wall H 430					
Glass Size 730mm	Sides		Single	Double	Roof	Size Lenght x Wide				
	1650 x 730	1650 x 660	1615 x 620	1615 x 550	1250 x 730	825 x 730	420 x 730	m <sup>2</sup>	m <sup>2</sup>	
Maxi on wall 2,36m x 2,36m	9	2	1		4	2	2	14,0	5,5	
Maxi on wall 2,36m x 3,09m	11	2	1		6	2	2	16,4	7,3	
Maxi on wall 2,36m x 3,80m	13	2	1		8	2	2	18,8	9,1	
Maxi on wall 2,36m x 4,57m	15	2	1		9	3	3	21,2	10,9	
Maxi on wall 2,36m x 5,30m	17	2	1		11	3	3	23,7	12,8	
Maxi on wall 2,36m x 6,04m	19	2	1		12	4	4	26,1	14,6	
Maxi on wall 2,36m x 6,77m	21	2	1		14	4	4	28,5	16,4	
Maxi on wall 2,36m x 7,53m	23	2	1		16	4	4	30,9	18,2	
Maxi on wall 2,36m x 8,30m	25	2	1		18	4	4	33,3	20,1	
Maxi on wall 2,36m x 9,02m	27	2	1		19	5	5	35,7	21,9	

Points  
2 x L + 2 x R



2,45 m<sup>2</sup>



**Glass Dimensions Nv Euro-serre**      **Maxi on wall 2,36m**      **GlassH: 1450 wall H 630**

Glass Size 730mm	Sides		Single	Double	Roof	Size Lenght x Wide			m <sup>2</sup>	m <sup>2</sup>
	1450 x 730	1450 x 660	1350 x 620	1350 x 550	1250 x 730	825 x 730	420 x 730			
Maxi on wall 2,36m x 2,36m	9	2	1		4	2	2	12,3	5,5	
Maxi on wall 2,36m x 3,09m	11	2	1		6	2	2	14,4	7,3	
Maxi on wall 2,36m x 3,80m	13	2	1		8	2	2	16,5	9,1	
Maxi on wall 2,36m x 4,57m	15	2	1		9	3	3	18,6	10,9	
Maxi on wall 2,36m x 5,30m	17	2	1		11	3	3	20,7	12,8	
Maxi on wall 2,36m x 6,04m	19	2	1		12	4	4	22,9	14,6	
Maxi on wall 2,36m x 6,77m	21	2	1		14	4	4	25,0	16,4	
Maxi on wall 2,36m x 7,53m	23	2	1		16	4	4	27,1	18,2	
Maxi on wall 2,36m x 8,30m	25	2	1		18	4	4	29,2	20,1	
Maxi on wall 2,36m x 9,02m	27	2	1		19	5	5	31,3	21,9	

Points  
2 x L + 2 x R

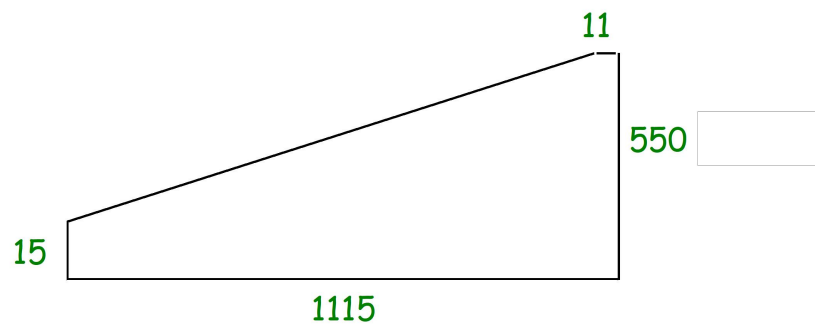


2,45 m<sup>2</sup>



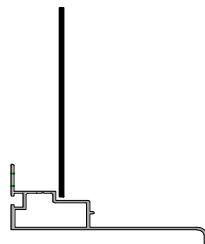
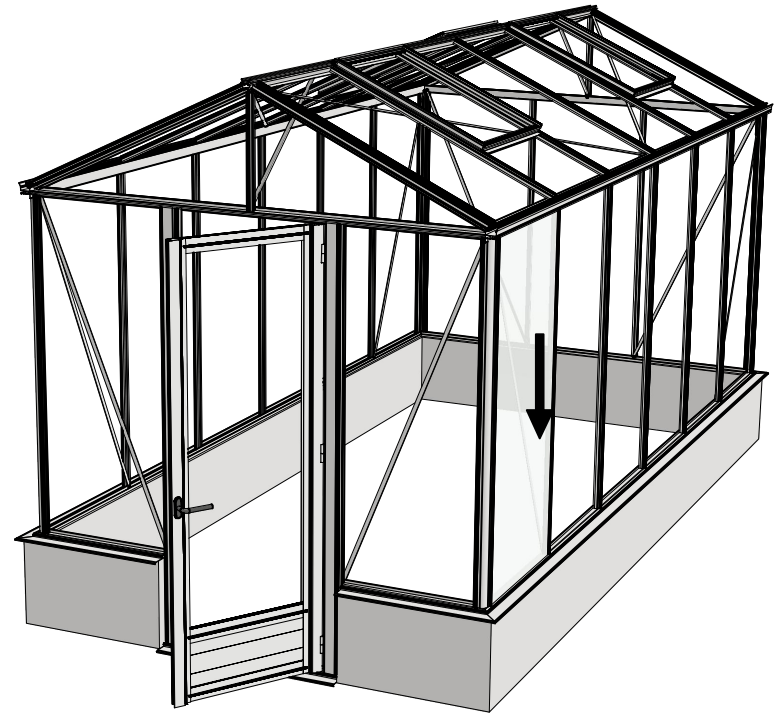
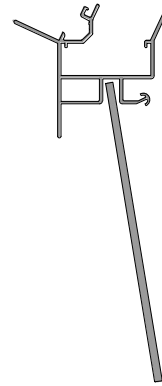
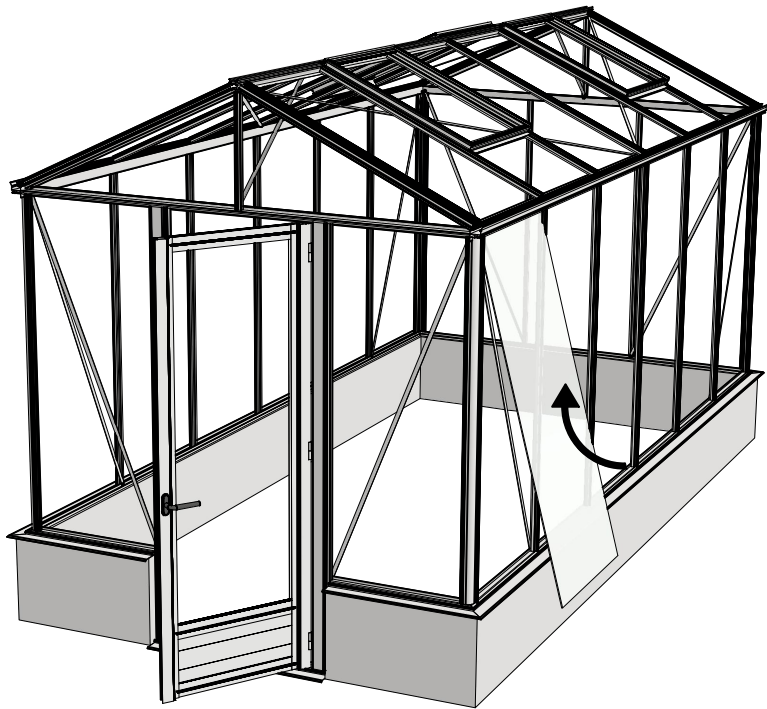
Glass Dimensions Nv Euro-serre		Maxi on wall 2,36m				GlassH: 1250 wall H 830				
Glass Size 730mm	Sides		Single	Double	Roof	Size Lenght x Wide				
	1250 x 730	1250 x 660	1175 x 620	1175 x 550	1250 x 730	825 x 730	420 x 730	m <sup>2</sup>	m <sup>2</sup>	
Maxi on wall 2,36m x 2,36m	9	2	1		4	2	2	10,6	5,5	
Maxi on wall 2,36m x 3,09m	11	2	1		6	2	2	12,4	7,3	
Maxi on wall 2,36m x 3,80m	13	2	1		8	2	2	14,2	9,1	
Maxi on wall 2,36m x 4,57m	15	2	1		9	3	3	16,1	10,9	
Maxi on wall 2,36m x 5,30m	17	2	1		11	3	3	17,9	12,8	
Maxi on wall 2,36m x 6,04m	19	2	1		12	4	4	19,7	14,6	
Maxi on wall 2,36m x 6,77m	21	2	1		14	4	4	21,5	16,4	
Maxi on wall 2,36m x 7,53m	23	2	1		16	4	4	23,4	18,2	
Maxi on wall 2,36m x 8,30m	25	2	1		18	4	4	25,2	20,1	
Maxi on wall 2,36m x 9,02m	27	2	1		19	5	5	27,0	21,9	

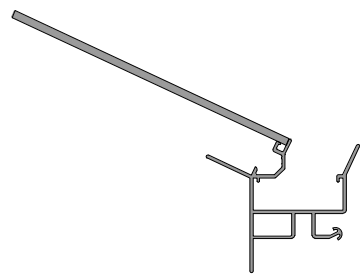
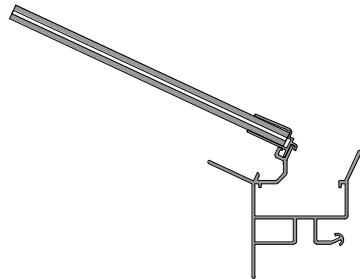
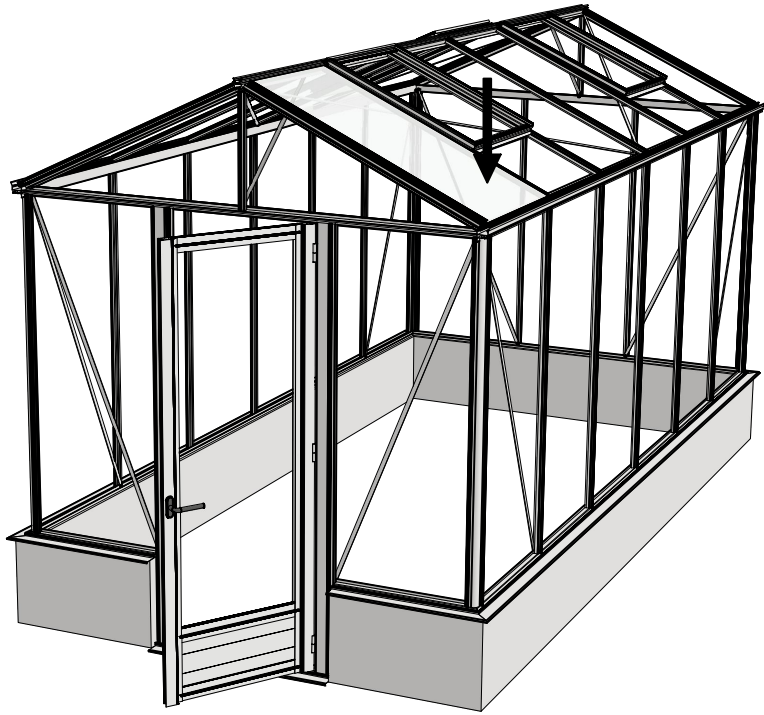
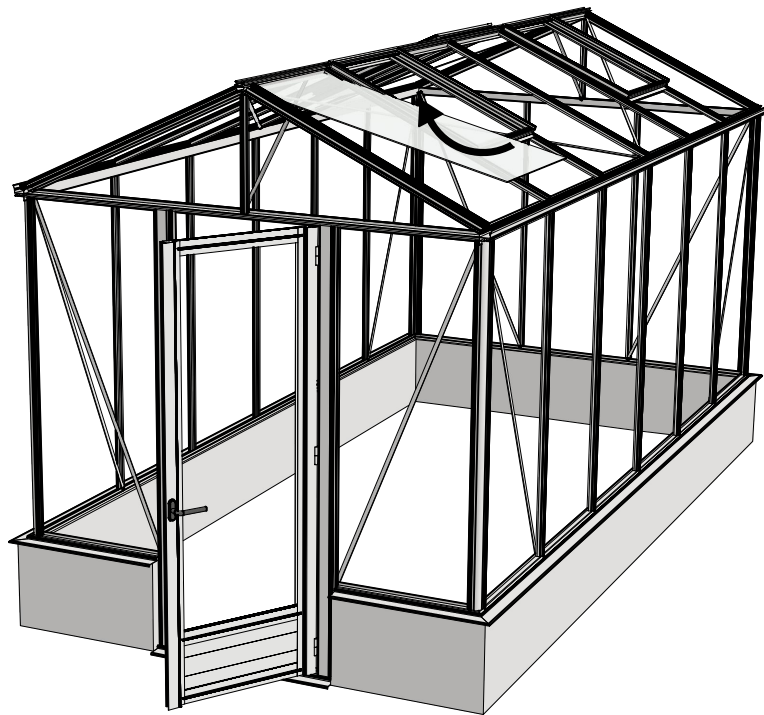
Points  
2 x L + 2 x R



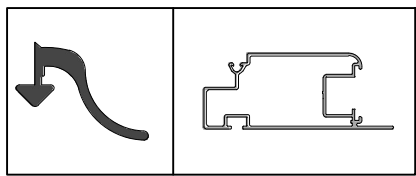
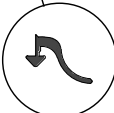
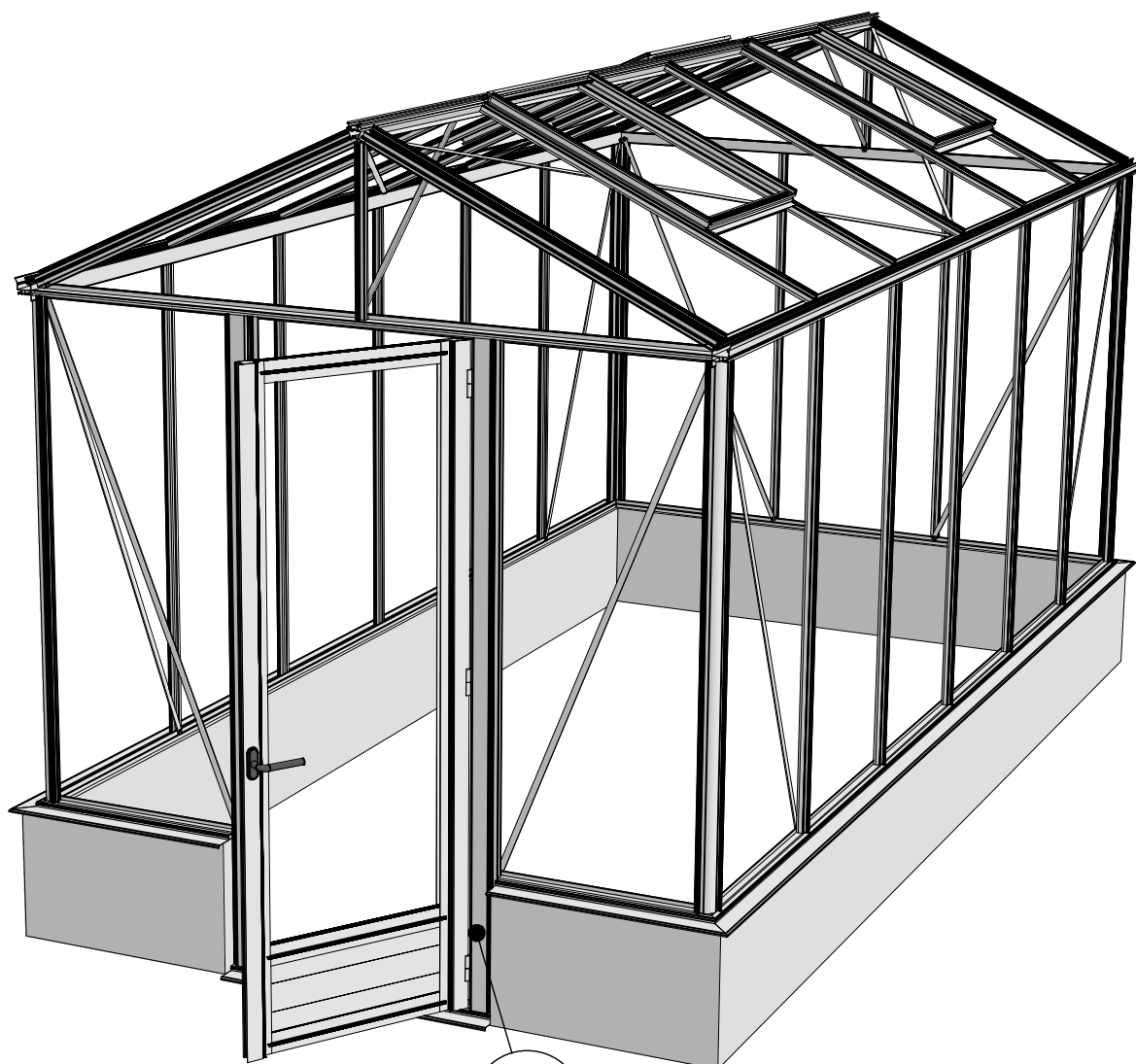
2,45 m<sup>2</sup>

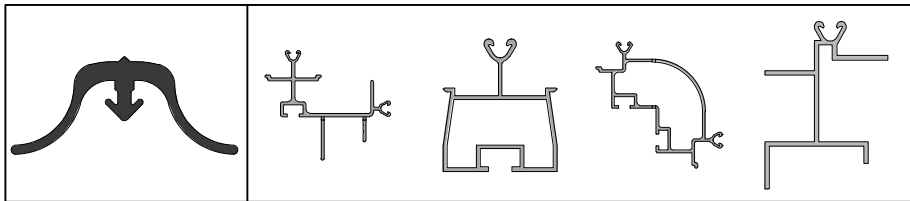
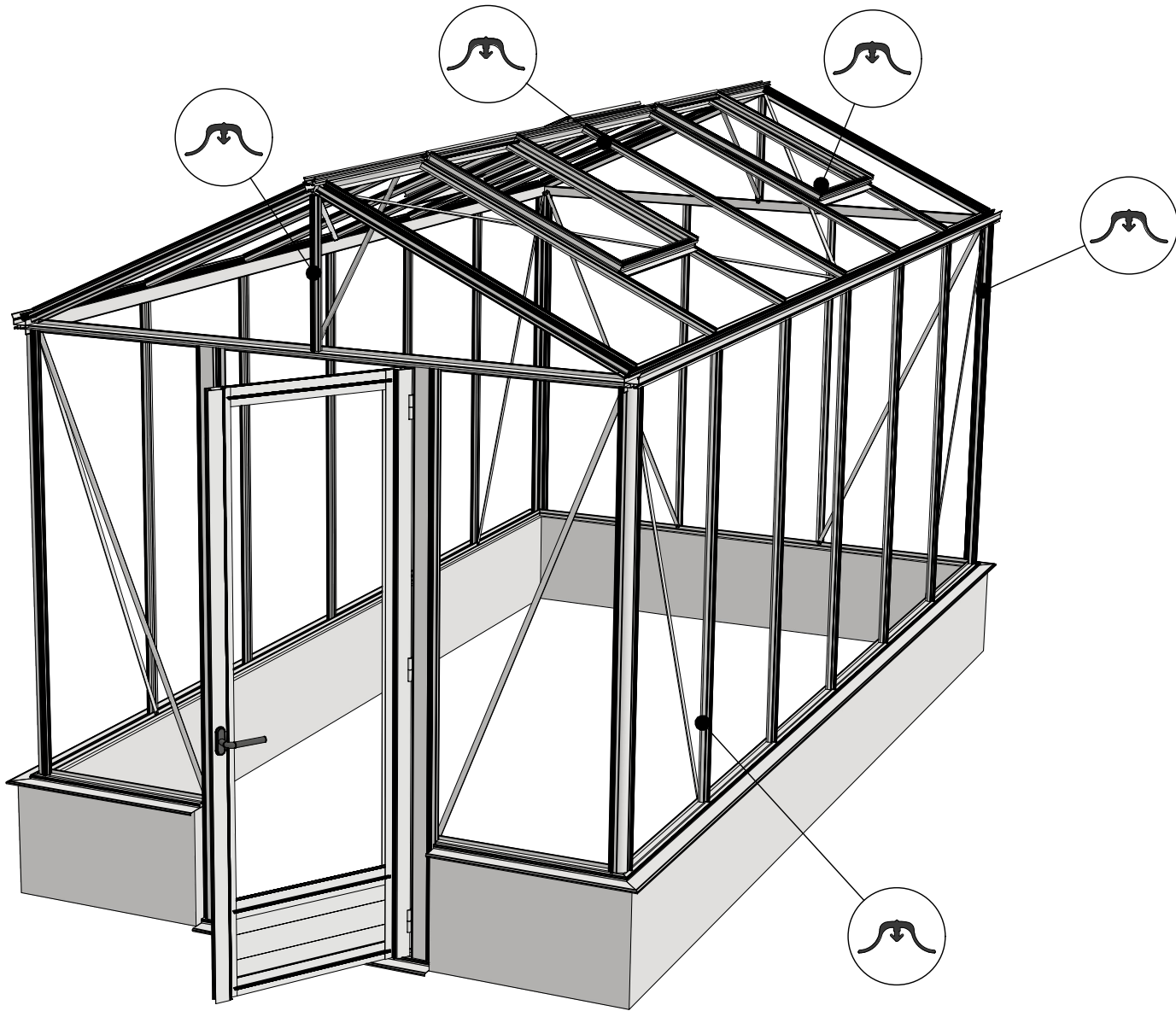
Opgemaakt op 29-06-2022



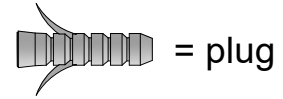








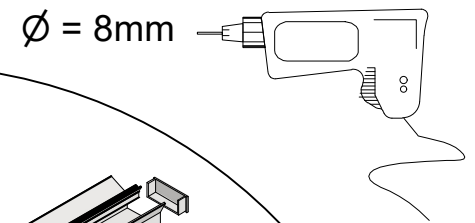




= plug



= 6x90



Ø = 8mm

